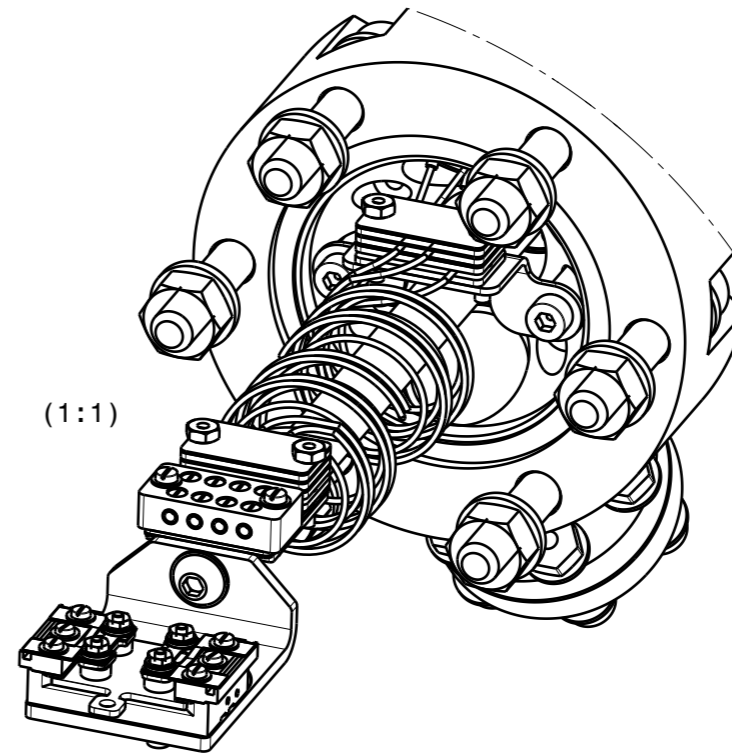
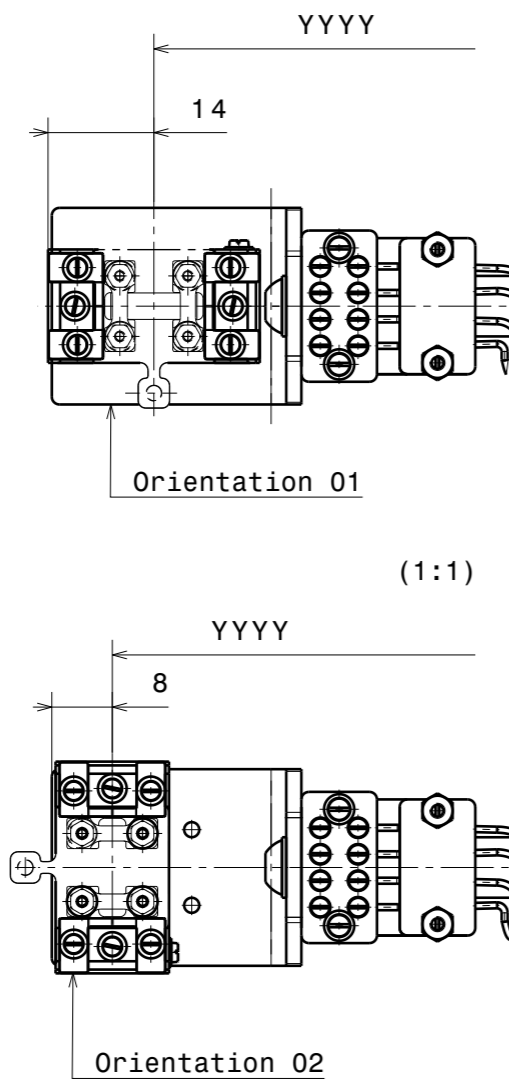
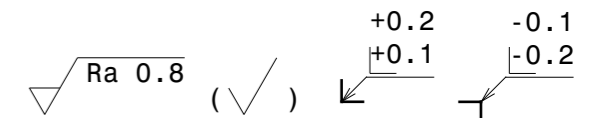


Terminal	Function
A	heater
B	if incl.: TC - (Ni-Al)
C	if incl.: TC + (Ni-Cr)
D	heater



(sample plate not incl.)



Material:	nominal <30mm dimensions >30mm	DIN ISO 2768-f-H DIN ISO 2768-m-K excluding Sym./Runout
	Sym./Runout >30mm	DIN ISO 2768-H
DC Heating Station for Flag Style Plates	formed part dimensions	DIN ISO 2768-f-H
	Scale	Drawn J.Buechi
	1:2	Date 16.06.2021
	(1:1)	Changed 15.06.23 JB
Ferrovac GmbH CH-8050 Zurich	THE INFORMATION CONTAINED IN THIS DRAWING IS THE SOLE PROPERTY OF FERROVAC GMBH. ANY REPRODUCTION IN PART OR AS WHOLE WITHOUT OUR PERMISSION IS PROHIBITED.	HSASOM40 (DC)
Rev. B		A3 sheet 1/1