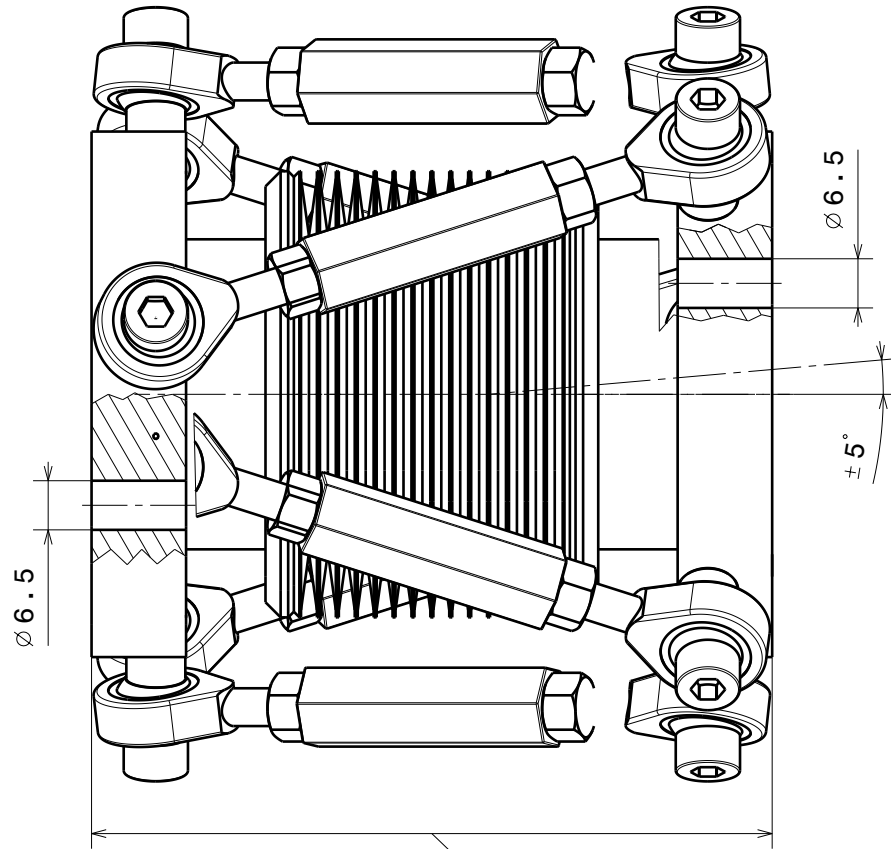
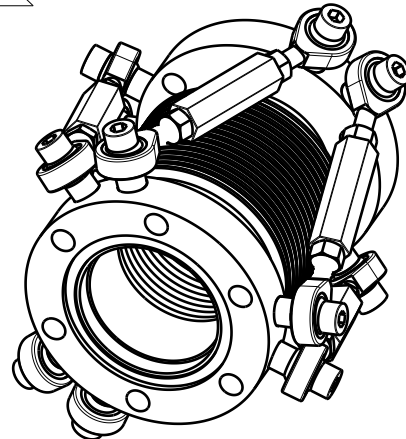
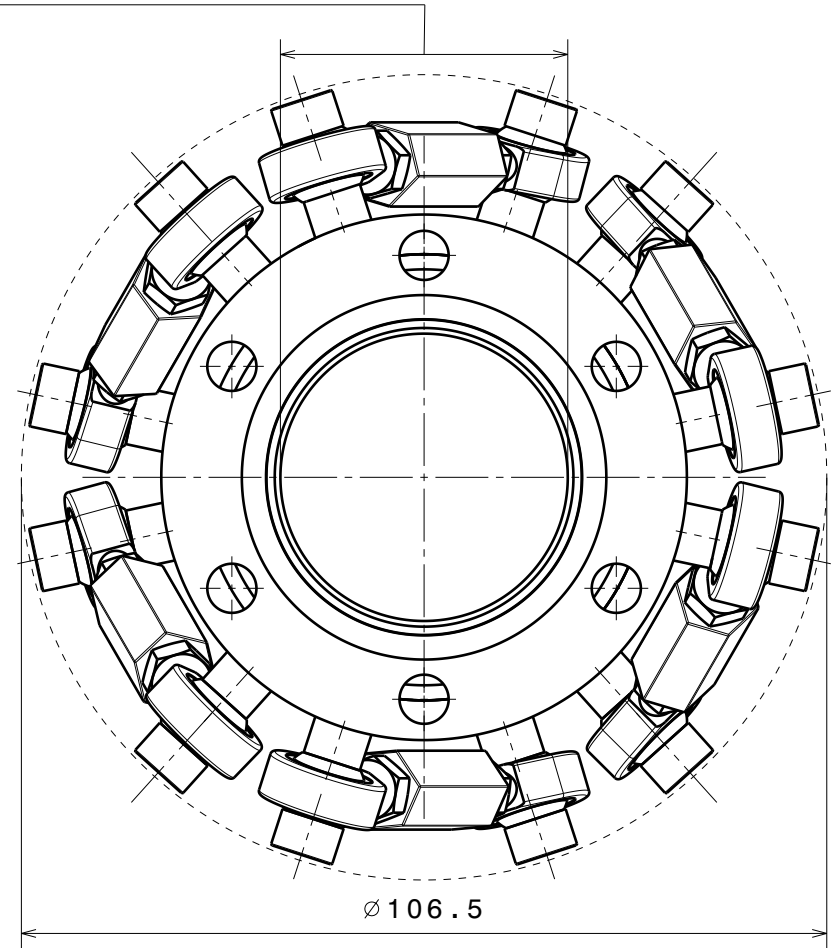


Free Inner Diameter = $\varnothing 38$



Insertion Length = 90mm +/- 5mm



(1:2)

Lateral range: $\pm 5\text{mm}$
 Angle deflection: $\pm 5^\circ$
 Length range: $\pm 5\text{mm}$
 Pressure range: $1 \cdot 10^{-11}\text{mbar}$ to 1000mbar
 max. bakeout temperature: 200°C

Material: all UHV compatible	nominal dimension up to	1	6	30	100	300	1000
Hexapod Port Aligner DN40CF	tolerance \pm	0.05	0.1	0.3	0.5	0.8	1.2
PA40HEX	Scale	Drawn	D.Rechsteiner				
	1:1	Date	19.12.2011				
	(1:2)	Checked	20.10.2012				
Ferrovac GmbH CH-8050 Zurich	THE INFORMATION CONTAINED IN THIS DRAWING IS THE SOLE PROPERTY OF FERROVAC GMBH. ANY REPRODUCTION IN PART OR AS WHOLE WITHOUT OUR PERMISSION IS PROHIBITED.	Rev. B	PA40HEX sheet 1/1				