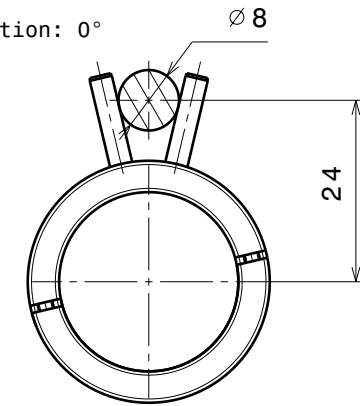


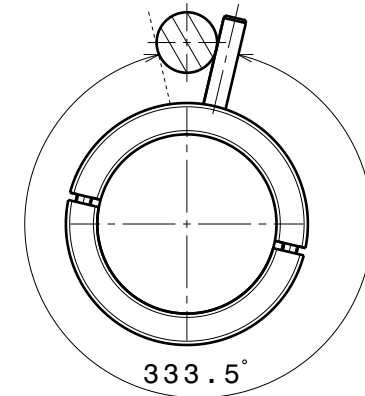
Application Example

in combination with MD40-TSMD

Locked rotation: 0°



Max rotation: 333.5°



Material: Aluminium, stainless steel

Rotation adapter for linear / rotary feedtrough and wobblesticks with tube support

Ferrovac GmbH
CH-8050 Zurich

THE INFORMATION CONTAINED IN THIS DRAWING IS THE SOLE PROPERTY OF FERROVAC GMBH. ANY REPRODUCTION IN PART OR AS WHOLE WITHOUT OUR PERMISSION IS PROHIBITED.

nominal ≤30mm DIN ISO 2768-f-H
dimensions >30mm DIN ISO 2768-m-K excluding Sym./Runout

Sym./Runout>30mm DIN ISO 2768-H

formed part dimensions DIN ISO 2768-f-H

Scale Drawn M. Müller

Date 09.11.2020

Changed 26.01.2022 CW

2:1

Rev. B

ADMRL

A4 sheet 1/1