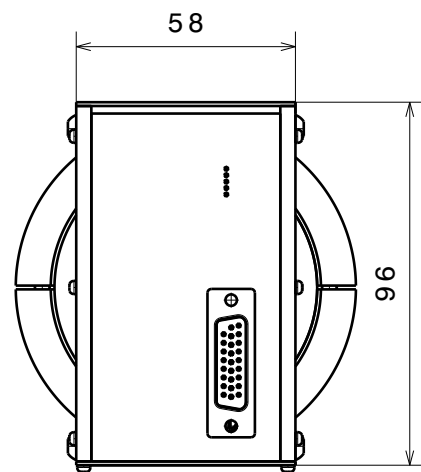
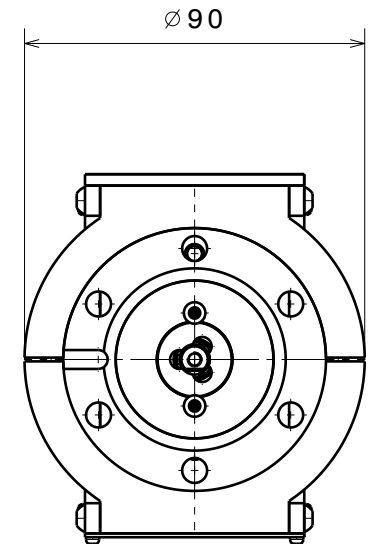
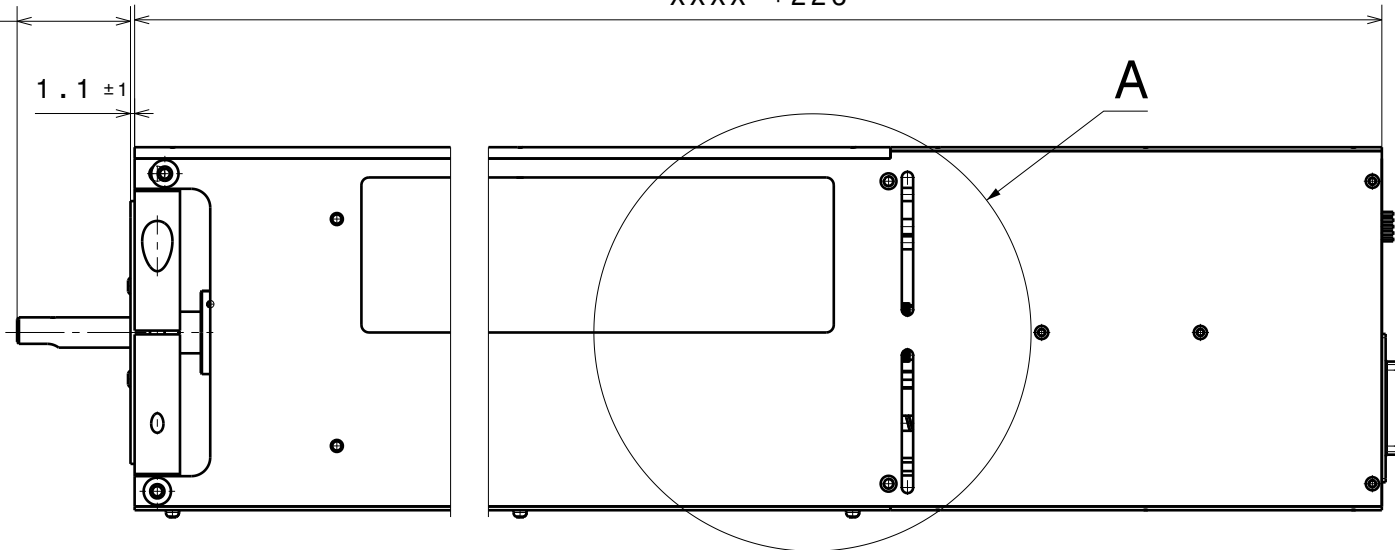


retracted length = YYYY

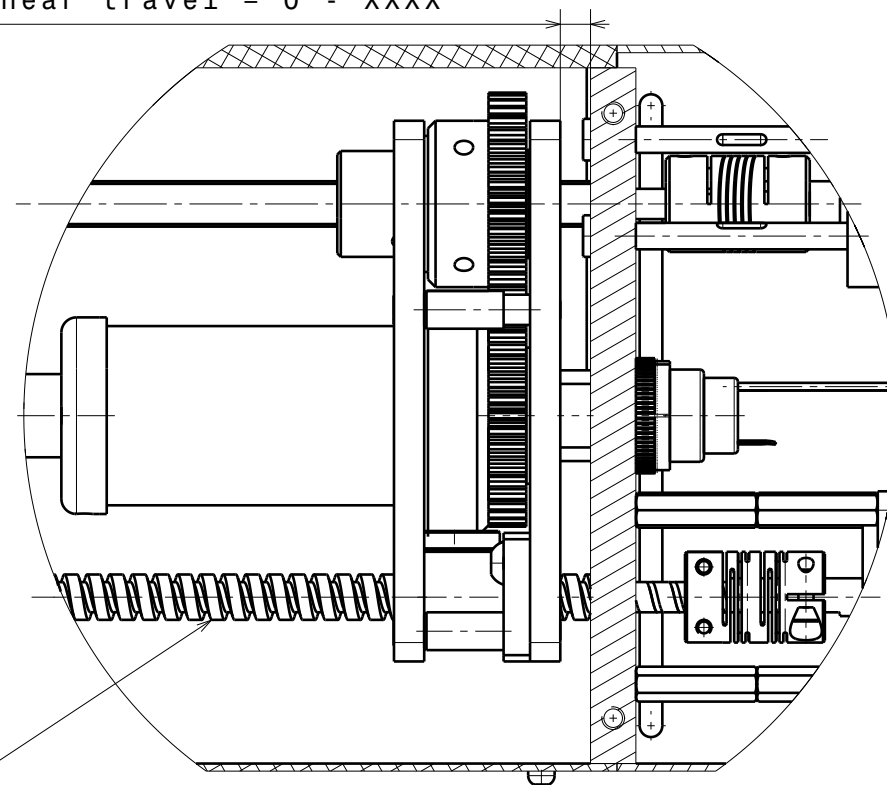
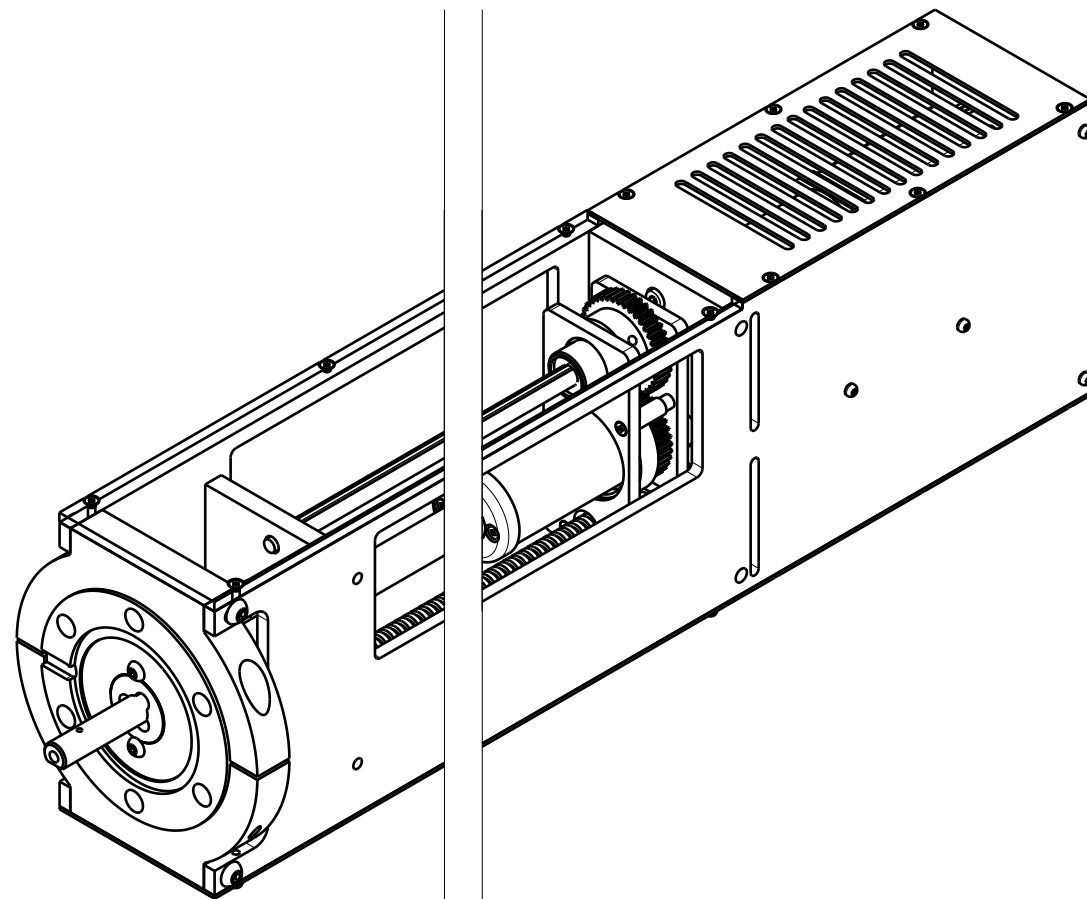
XXXX +226



1.1 ±1



linear travel = 0 - XXXX



2mm pitched spindle drive (or 1mm on request)

A
(1:1)

Ra 0.8 (✓) $\begin{matrix} +0.2 \\ +0.1 \end{matrix}$ $\begin{matrix} -0.1 \\ -0.2 \end{matrix}$
 general tolerances ISO 2768-K

Order Code:

MD40-□□□□-□□□□-DRVMDMOTLR

retracted length YYYY

linear travel XXXX

Material:	nominal dimension	over up to	1	6	30	100	300	1000
			6	30	100	300	1000	2000
	tolerance ±		0.05	0.1	0.3	0.5	0.8	1.2
Motorized Linear and Rotary Manipulator	Scale	Drawn	C. Weiss					
MD40-XXXX-YYYY-DRVMDMOTLR	1:2 (1:1)	Date	13.07.2015					
Ferrovac GmbH		Changed					
CH-8050 Zurich			MD40-XXXX-YYYY-DRVMDMOTLR					
	Rev. A		A3 sheet 1/2					

THE INFORMATION CONTAINED IN THIS DRAWING IS THE SOLE PROPERTY OF FERROVAC GMBH. ANY REPRODUCTION IN PART OR AS WHOLE WITHOUT OUR PERMISSION IS PROHIBITED.