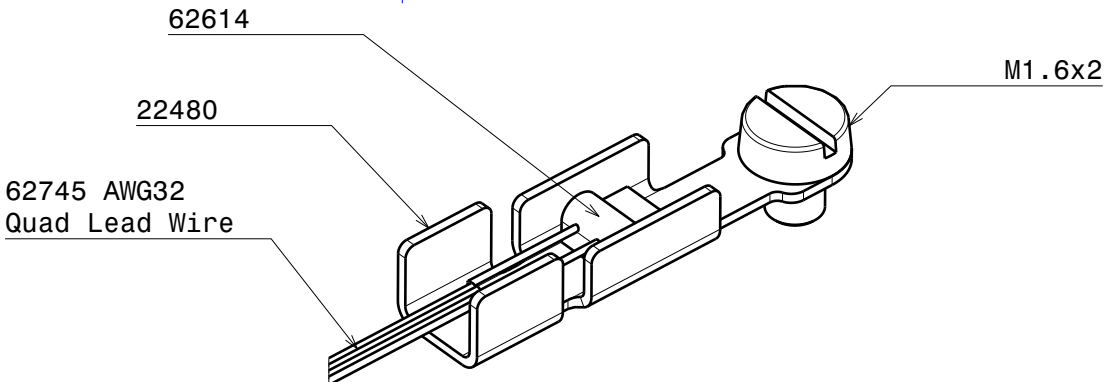


yellow +I
 blue +V
 green -V
 red -I

- Lead wires soldered with Castolin 157 SnAg Eutectic
- Solder area embedded in Epotek H70
- Sensor glued to bracket with Epotek H70



$\sqrt{Ra\ 0.8}$ (✓)
 $\swarrow +0.2$
 $\nwarrow +0.1$
 $\searrow -0.1$
 $\swarrow -0.2$

Material: All UHV compatible		nominal $\leq 30\text{mm}$	DIN ISO 2768-f-H
		dimensions $> 30\text{mm}$	DIN ISO 2768-m-K excluding Sym./Runout
Pt 100 Sensor with AWG32 4-wire leads		Sym./Runout $> 30\text{mm}$	DIN ISO 2768-H
		formed part dimensions	DIN ISO 2768-f-H
Scale	Drawn	U. Maier	
	Date	05.06.2020	
	Changed	
Ferrovac GmbH		TMPT100S	
CH-8050 Zurich		A4 sheet 1/1	
Rev.	A		

THE INFORMATION CONTAINED IN THIS DRAWING IS THE SOLE PROPERTY OF FERROVAC GMBH. ANY REPRODUCTION IN PART OR AS WHOLE WITHOUT OUR PERMISSION IS PROHIBITED.