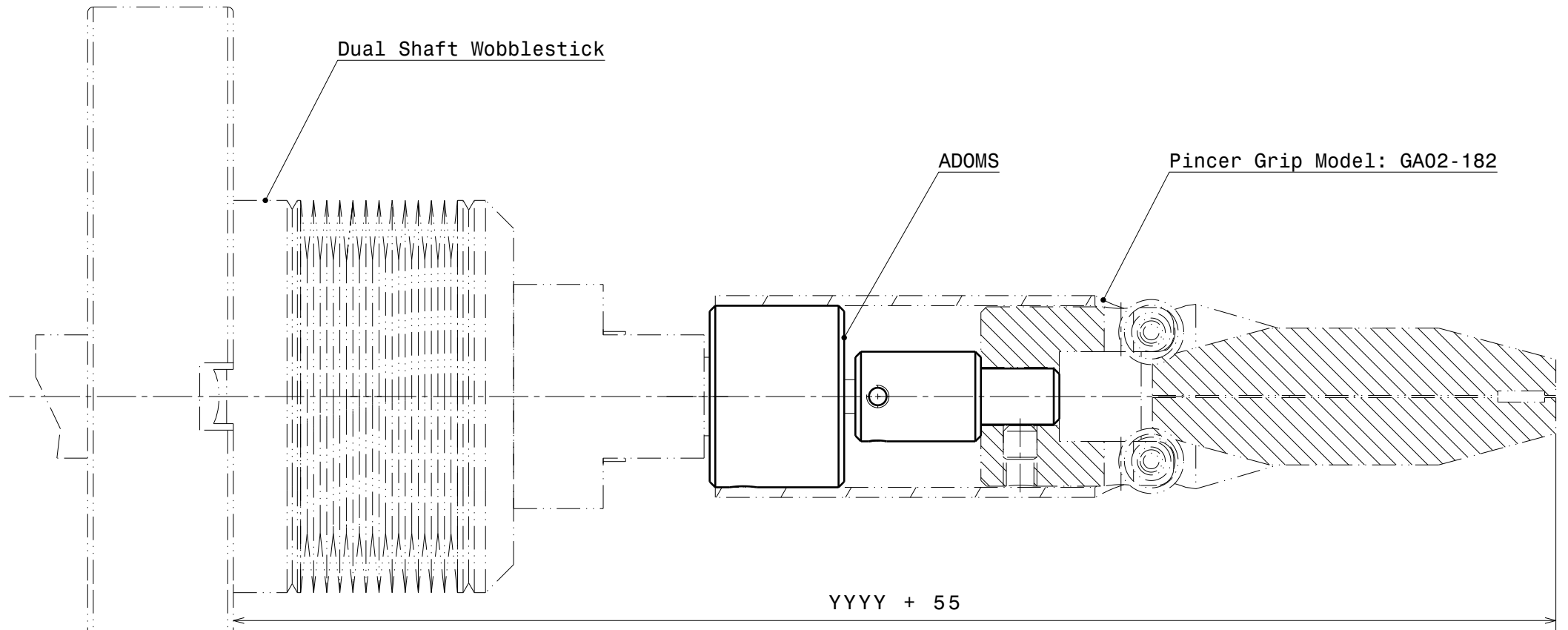


Material: 1.4301		nominal dimensions ≤30mm	DIN ISO 2768-f-H
		dimensions >30mm	DIN ISO 2768-m-K excluding Sym./Runout
Adapter for Original Omicron Straight Pincer GA02-182		Sym./Runout >30mm	DIN ISO 2768-H
		formed part dimensions	DIN ISO 2768-f-H
Scale	Drawn	B. Guebeli	
	Date	18.01.2010	
	Changed	25.10.2021 MFM	
5:1 (2:1)	ADOMS A4 sheet 1/2		
Rev. B			
Ferrovac CH-8050 Zurich	THE INFORMATION CONTAINED IN THIS DRAWING IS THE SOLE PROPERTY OF FERROVAC. ANY REPRODUCTION IN PART OR AS WHOLE WITHOUT OUR PERMISSION IS PROHIBITED.		

Application example



Material: 1.4301	nominal $\leq 30\text{mm}$	DIN ISO 2768-f-H
	dimensions $> 30\text{mm}$	DIN ISO 2768-m-K excluding Sym./Runout
Adapter for Original Omicron Straight Pincer GA02-182	Sym./Runout $> 30\text{mm}$	DIN ISO 2768-H
	formed part dimensions	DIN ISO 2768-f-H
Scale	Drawn	B. Guebeli
	Date	18.01.2010
	Changed	25.10.2021 MFM
5:1 (2:1)	ADOMS	
Ferrovac CH-8050 Zurich	THE INFORMATION CONTAINED IN THIS DRAWING IS THE SOLE PROPERTY OF FERROVAC. ANY REPRODUCTION IN PART OR AS WHOLE WITHOUT OUR PERMISSION IS PROHIBITED.	
	Rev.	B