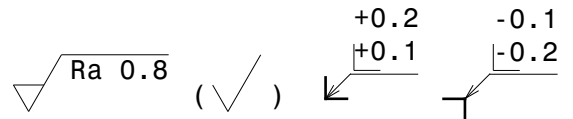
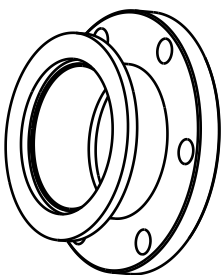
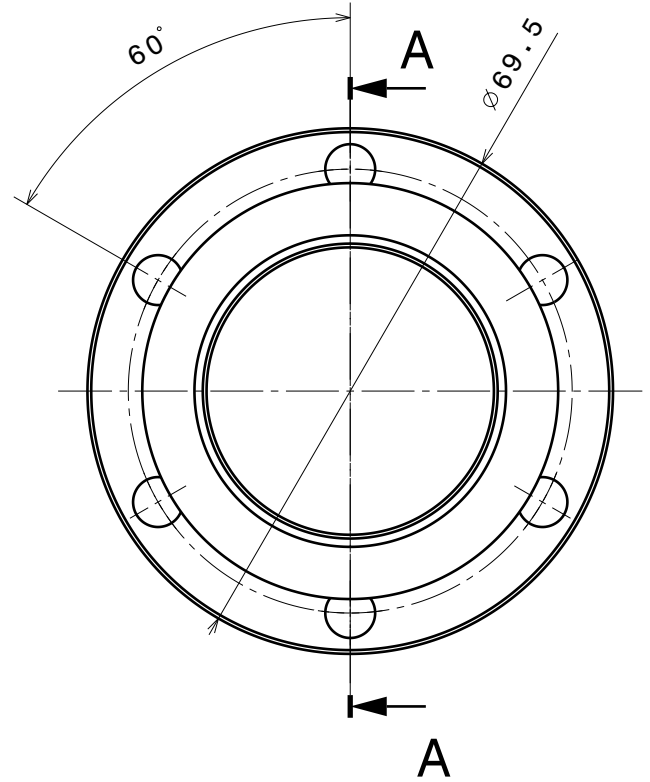
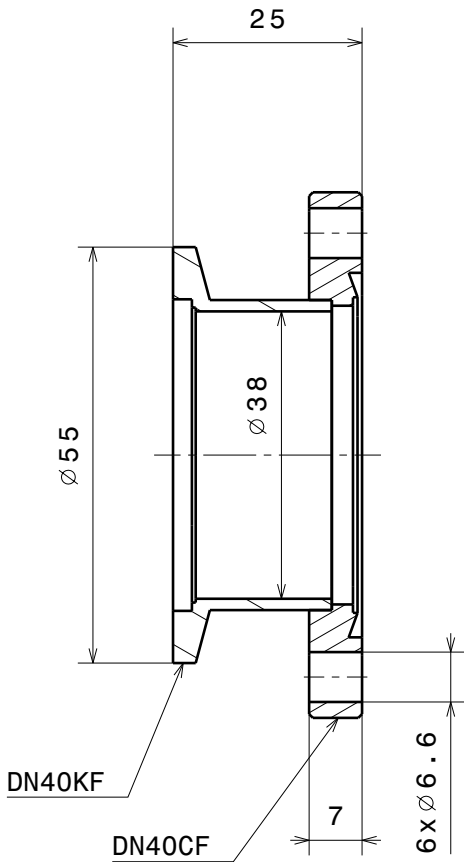


A:A 1:1



Material: 1.4301	nominal dimensions ≤30mm	DIN ISO 2768-f-H	
	nominal dimensions >30mm	DIN ISO 2768-m-K excluding Sym./Runout	
KFCF Flansch 25mm	Sym./Runout >30mm	DIN ISO 2768-H	
	formed part dimensions	DIN ISO 2768-f-H	
AFCF40KF40L25	Scale	Drawn	Vassalli
	1:1 1:2	Date	13.02.2019
Rev.		A	Changed
Ferrovac GmbH CH-8050 Zurich	THE INFORMATION CONTAINED IN THIS DRAWING IS THE SOLE PROPERTY OF FERROVAC GMBH. ANY REPRODUCTION IN PART OR AS WHOLE WITHOUT OUR PERMISSION IS PROHIBITED.		AFCF40KF40L25
			A4 sheet 1/1