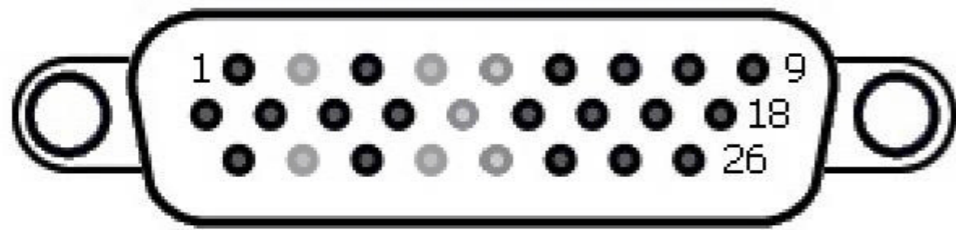


2mm pitched spindle drive (or 1mm on request)

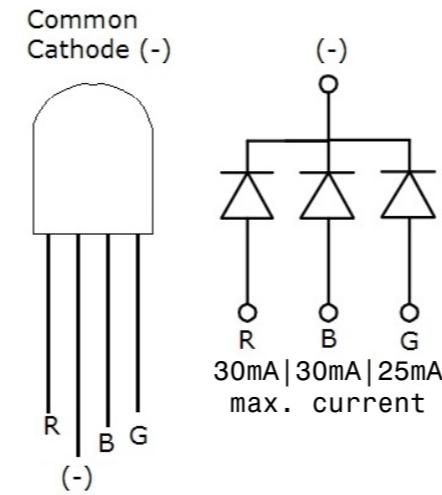
∇ Ra 0.8 (✓) ∇ $\begin{matrix} +0.2 \\ +0.1 \end{matrix}$ ∇ $\begin{matrix} -0.1 \\ -0.2 \end{matrix}$
 general tolerances ISO 2768-K

Material:		nominal dimension	over up to	1	6	30	100	300	1000
Motorized Linear and Rotary Drive for MD16 Feedthrough		tolerance ±		6	30	100	300	1000	2000
DRVMD16MOTLR				0.05	0.1	0.3	0.5	0.8	1.2
Ferrovac GmbH CH-8050 Zurich		Scale	Drawn	C.Weiss					
		1:2	Date	13.07.2015					
THE INFORMATION CONTAINED IN THIS DRAWING IS THE SOLE PROPERTY OF FERROVAC GMBH. ANY REPRODUCTION IN PART OR AS WHOLE WITHOUT OUR PERMISSION IS PROHIBITED.		Rev.	A	Changed					
					DRVMD16MOTLR				
					A3 sheet 1/1				

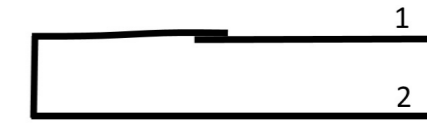


D-Sub Pin	Function	
1	Linear Motor	(A\) GN
2		
3	Rotary Motor	(A\) GN
4		
5		
6	LED	RED
7	Limitswitch (BACK)	BLU
8	Limitswitch (BACK)	BLK
9	Fan	+12VDC
10	Linear Motor	(A) BLK
11	Linear Motor	(B) RD
12	Rotary Motor	(A) BLK
13	Rotary Motor	(B) RD
14		
15	LED	GND
16	LED	Green
17	Limitswitch (Front)	BLU
18	Fan	Sig.
19	Linear Motor	(B\) BU
20		
21	Rotary Motor	(B\) BU
22		
23		
24	LED	BLUE
25	Limitswitch (Front)	BLK
26	Fan	GND

LED (+5VDC)



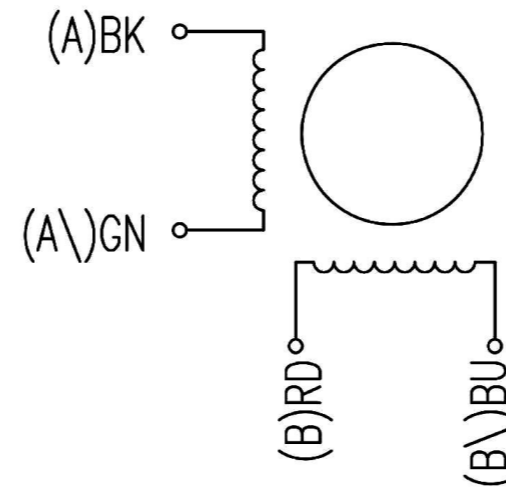
Limitswitch (Front)



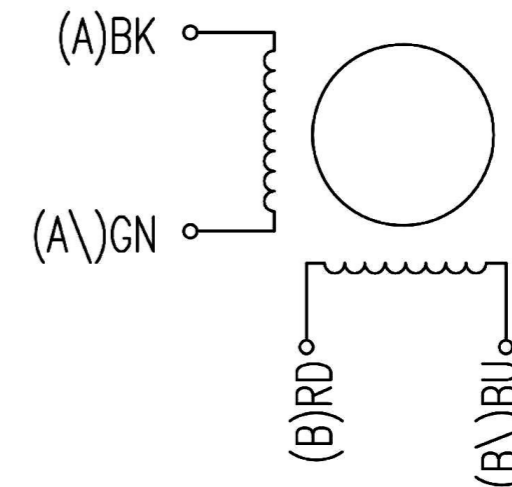
Limitswitch (Back)



Rotary Motor Schematic



Linear Motor Schematic



Material:	nominal dimension	over up to	1	6	30	100	300	1000
			6	30	100	300	1000	2000
	tolerance	±	0.05	0.1	0.3	0.5	0.8	1.2
Motorized Linear and Rotary Drive for MD16 Feedthrough	Scale	Drawn	C.Weiss					
DRVMD16MOTLR		Date	13.07.2015					
		Changed					
Ferrovac GmbH	1:2	DRVMD16MOTLR						
CH-8050 Zurich	Rev. A	A3 sheet 2/2						

THE INFORMATION CONTAINED IN THIS DRAWING IS THE SOLE PROPERTY OF FERROVAC GMBH. ANY REPRODUCTION IN PART OR AS WHOLE WITHOUT OUR PERMISSION IS PROHIBITED.