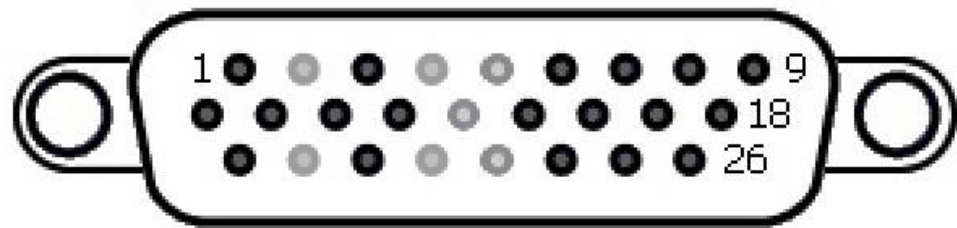


2mm pitched spindle drive (or 1mm on request)

∇ Ra 0.8 (✓) ∇ $\begin{matrix} +0.2 \\ +0.1 \end{matrix}$ ∇ $\begin{matrix} -0.1 \\ -0.2 \end{matrix}$
 general tolerances ISO 2768-K

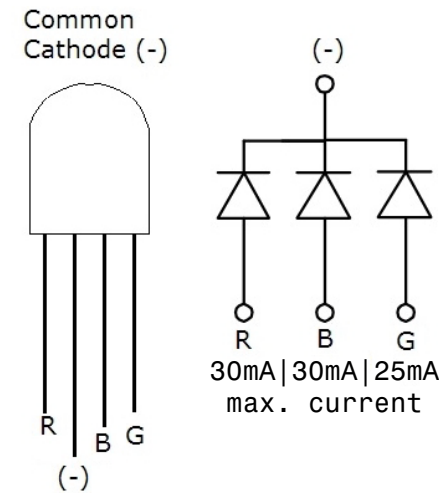
Material:	nominal dimension	over up to	1	6	30	100	300	1000
			6	30	100	300	1000	2000
	tolerance ±		0.05	0.1	0.3	0.5	0.8	1.2
Motorized Linear and Rotary Drive for MD40 Feedthrough	Scale	Drawn	C.Weiss					
DRVMDMOTLR		Date	13.07.2015					
	1:2	Changed					
Ferrovac GmbH			DRVMDMOTLR					
CH-8050 Zurich			A3 sheet 1/2					
	Rev.	A						

THE INFORMATION CONTAINED IN THIS DRAWING IS THE SOLE PROPERTY OF FERROVAC GMBH. ANY REPRODUCTION IN PART OR AS WHOLE WITHOUT OUR PERMISSION IS PROHIBITED.

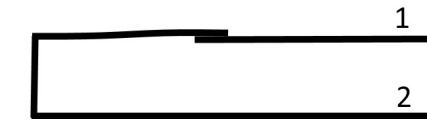


D-Sub Pin	Function	
1	Linear Motor	(A\) GN
2		
3	Rotary Motor	(A\) GN
4		
5		
6	LED	RED
7	Limitswitch (BACK)	BLU
8	Limitswitch (BACK)	BLK
9	Fan	+12VDC
10	Linear Motor	(A) BLK
11	Linear Motor	(B) RD
12	Rotary Motor	(A) BLK
13	Rotary Motor	(B) RD
14		
15	LED	GND
16	LED	Green
17	Limitswitch (Front)	BLU
18	Fan	Sig.
19	Linear Motor	(B\) BU
20		
21	Rotary Motor	(B\) BU
22		
23		
24	LED	BLUE
25	Limitswitch (Front)	BLK
26	Fan	GND

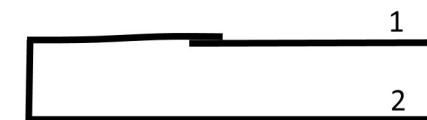
LED (+5VDC)



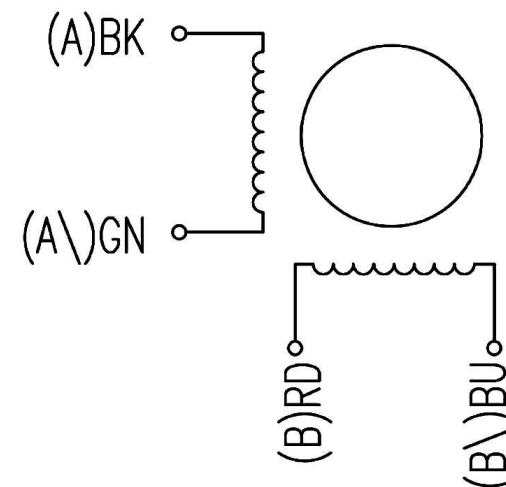
Limitswitch (Front)



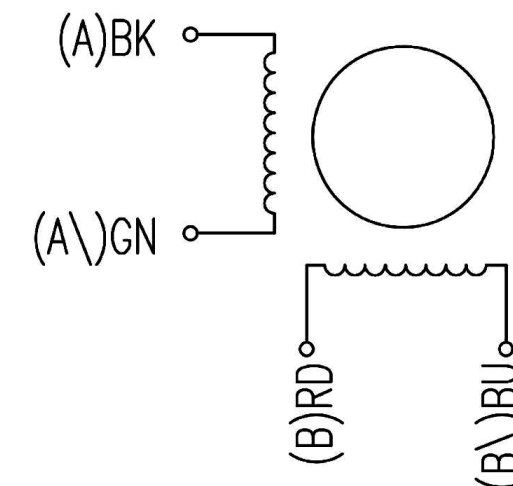
Limitswitch (Back)



Rotary Motor Schematic



Linear Motor Schematic



Material:	nominal dimension	over up to	1	6	30	100	300	1000
			6	30	100	300	1000	2000
	tolerance	±	0.05	0.1	0.3	0.5	0.8	1.2
Motorized Linear and Rotary Drive for MD40 Feedthrough	Scale	Drawn	C.Weiss					
DRVMDMOTLR		Date	29.02.2016					
	1:2	Changed					
Ferrovac GmbH	THE INFORMATION CONTAINED IN THIS DRAWING IS THE SOLE PROPERTY OF FERROVAC GMBH. ANY REPRODUCTION IN PART OR AS WHOLE WITHOUT OUR PERMISSION IS PROHIBITED.	DRVMDMOTLR						
CH-8050 Zurich	Rev. A	A3 sheet 2/2						