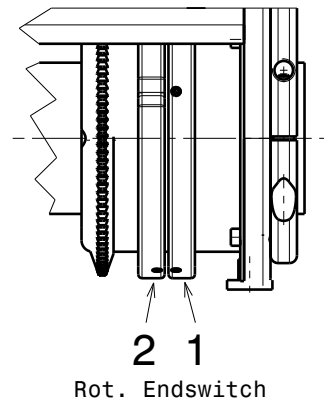
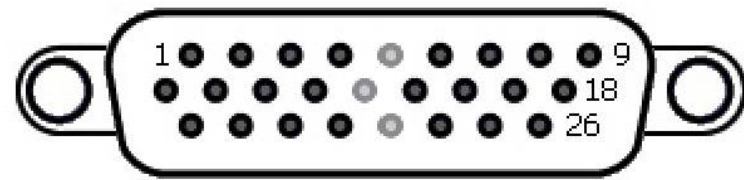
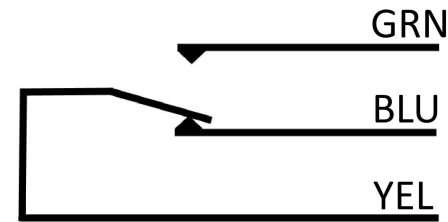


(1:5)

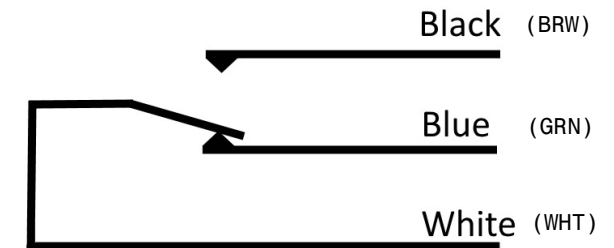
Material: ....	nominal dimension	over up to	1	6	30	100	300	1000
Motorized Linear/Rotary Drive RM	tolerance	±	0.05	0.1	0.3	0.5	0.8	1.2
DRVRMOTLR	Scale	Drawn	C.Weiss					
<b>Ferrovac GmbH</b> CH-8050 Zurich	1:2 (1:5)	Date	13.01.2015					
		Changed	09.02.2016 CW					
THE INFORMATION CONTAINED IN THIS DRAWING IS THE SOLE PROPERTY OF FERROVAC GMBH. ANY REPRODUCTION IN PART OR AS WHOLE WITHOUT OUR PERMISSION IS PROHIBITED.	Rev.	B	DRVRMOTL - XXXX A3 sheet 1/3					



**Rot. Endswitch 1**

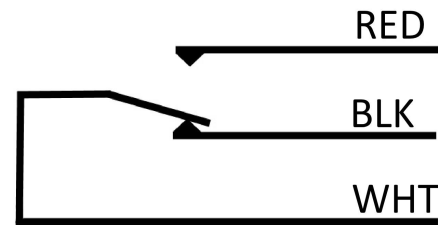


**Reed Endswitch (Front)**



D-Sub Pin	Function	
1	Linear Motor	(A) BLK
2	Linear Motor	BLK/WHT
3	Linear Motor	BLU/WHT
4	Rotary Motor	(A) BLK
5		
6	Rot. Endswitch 1	GRN
7	Rot. Endswitch 2	BLK
8	Endswitch (Back )	1
9	Reed Endswitch (Front)	Blue
10	Linear Motor	(A/) GRN
11	Linear Motor	GRN/WHT
12	Linear Motor	(B/) BLU
13	Rotary Motor	(A\ ) GRN
14		
15	Rot. Endswitch 1	YEL
16	Rot. Endswitch 2	WHT
17	Endswitch (Back )	2
18	Reed Endswitch (Front)	White
19	Linear Motor	(B) RED
20	Linear Motor	RED/WHT
21	Rotary Motor	(B) RED
22	Rotary Motor	(B\ ) BLU
23		
24	Rot. Endswitch 1	BLU
25	Rot. Endswitch 2	RED
26	Reed Endswitch (Front)	Black

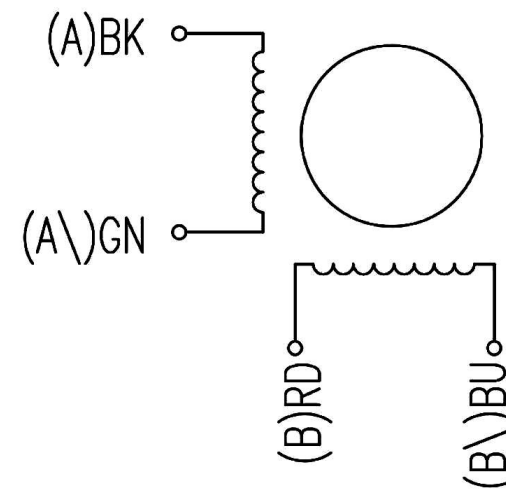
**Rot. Endswitch 2**



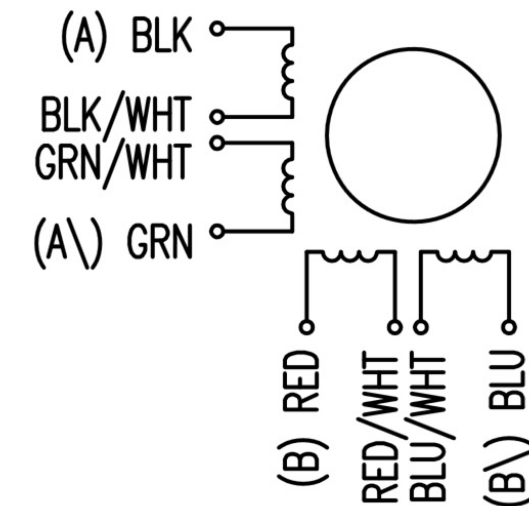
**Endswitch (Back)**



**Rotary Motor Schematic**



**Linear Motor Schematic**



Material: ....	nominal dimension	over up to	1	6	30	100	300	1000
			6	30	100	300	1000	2000
	tolerance	±	0.05	0.1	0.3	0.5	0.8	1.2
Motorized Linear/Rotary Drive RM	Scale	Drawn	C.Weiss					
DRVRMOTLR		Date	13.01.2015					
		Changed	.....					
<b>Ferrovac GmbH</b>	1:2		DRVRMOTL - XXXX					
CH-8050 Zurich	Rev. A		A3 sheet 2/3					

THE INFORMATION CONTAINED IN THIS DRAWING IS THE SOLE PROPERTY OF FERROVAC GMBH. ANY REPRODUCTION IN PART OR AS WHOLE WITHOUT OUR PERMISSION IS PROHIBITED.