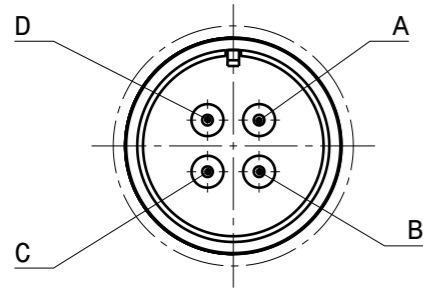
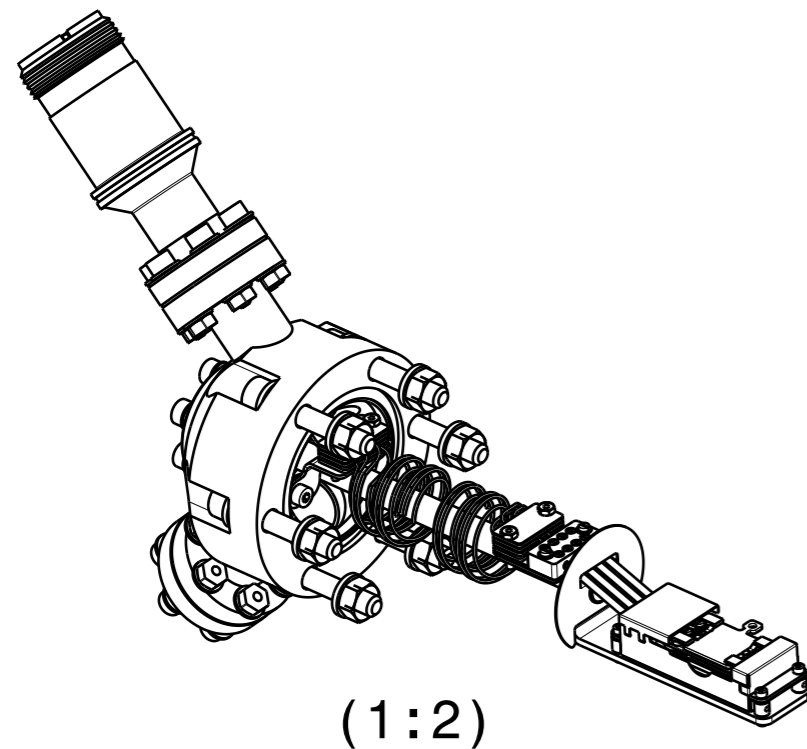
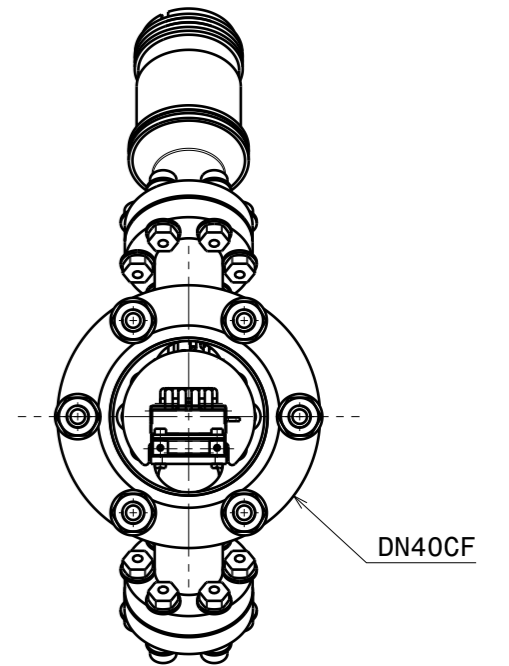
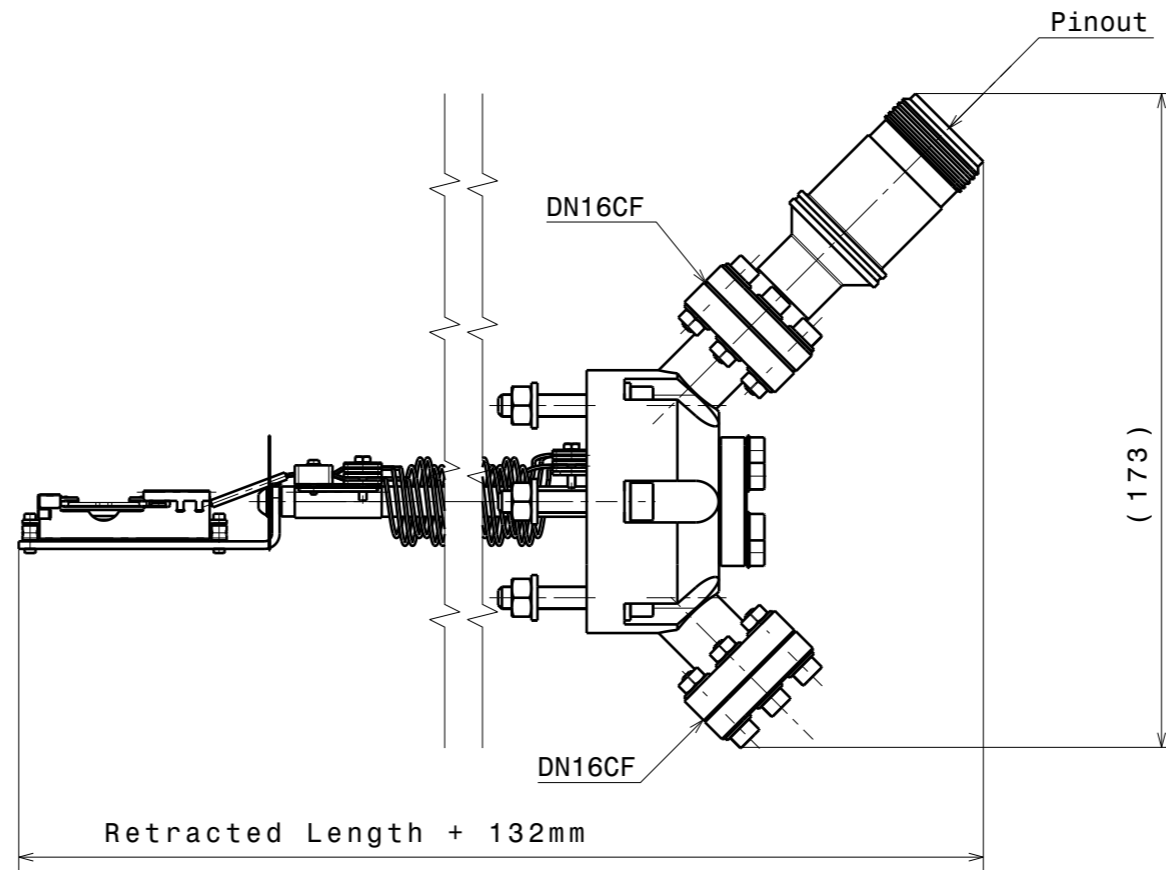


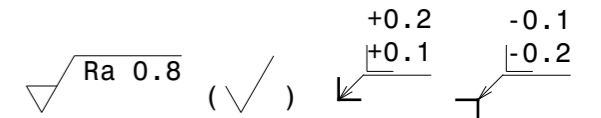
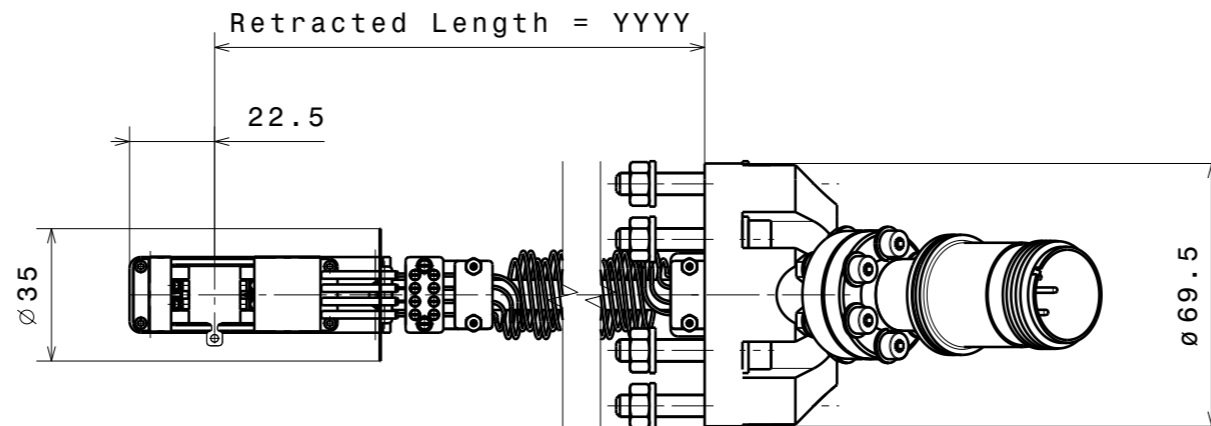
Pinout



Terminal	Function
A	heater -
B	TC - (Ni-Al)
C	TC + (Ni-Cr)
D	heater +



(1:2)



(sample plate not incl.)

Material:	nominal ≤30mm dimensions >30mm	DIN ISO 2768-f-H DIN ISO 2768-m-K excluding Sym./Runout
PBN Heating Station for Flag Style Plates	Sym./Runout >30mm	DIN ISO 2768-H
	formed part dimensions	DIN ISO 2768-f-H
Ferrovac CH-8050 Zurich	Scale	1:2
	Drawn	J. Buechi
	Date	05.05.2021
	Changed	19.06.23 JB
		HSASOM40 (PBN)
Rev. C		A3 sheet 1/1

THE INFORMATION CONTAINED IN THIS DRAWING IS THE SOLE PROPERTY OF FERROVAC. ANY REPRODUCTION IN PART OR AS WHOLE WITHOUT OUR PERMISSION IS PROHIBITED.