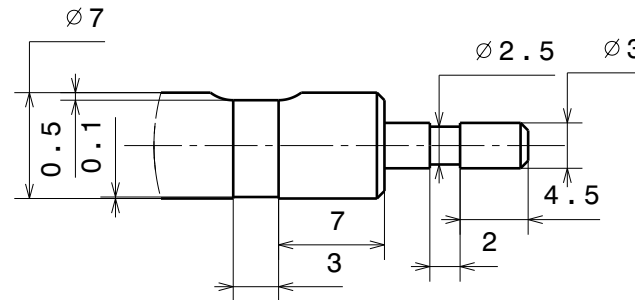
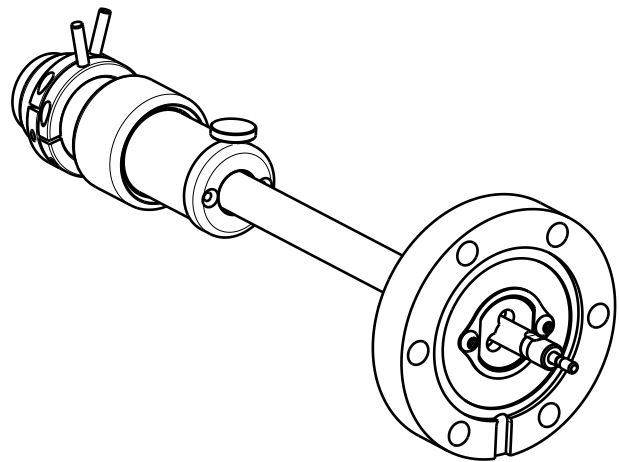
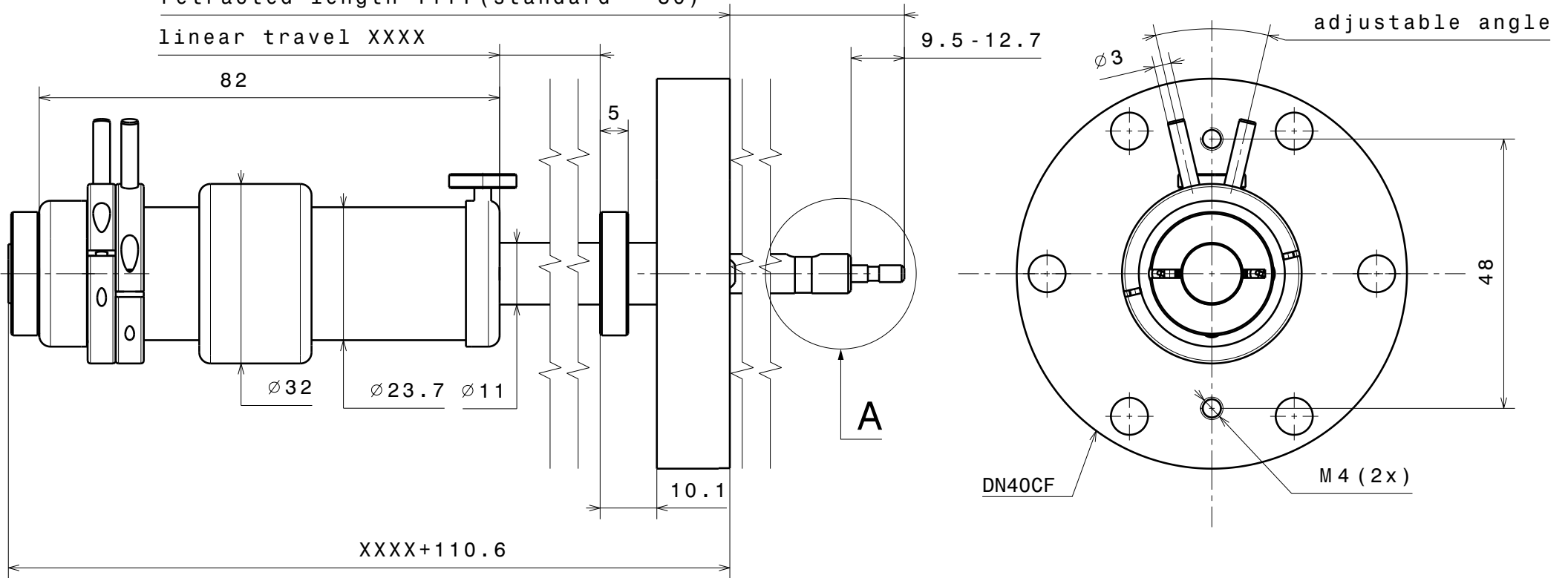


retracted length YYYY (standard = 30)

linear travel XXXX



A  
(2:1)

$\sqrt{\text{Ra } 0.8}$  (✓)  $\swarrow +0.2$   $\searrow -0.1$   
 $\swarrow +0.1$   $\searrow -0.2$

Material: ....	nominal $\leq 30\text{mm}$ dimensions $> 30\text{mm}$	DIN ISO 2768-f-H DIN ISO 2768-m-K excluding Sym./Runout
Dual Shaft Linear/Rotary Feedthrough DN40CF with Rotation Lock MDG40 (RL)	Sym./Runout $> 30\text{mm}$	DIN ISO 2768-H
	formed part dimensions	DIN ISO 2768-f-H
<b>Ferrovac</b> CH-8050 Zurich	Scale	1:1
	Drawn	von Gunten
	Date	22.11.2010
THE INFORMATION CONTAINED IN THIS DRAWING IS THE SOLE PROPERTY OF FERROVAC. ANY REPRODUCTION IN PART OR AS WHOLE WITHOUT OUR PERMISSION IS PROHIBITED.	Changed	14.08.2023 CW
	Rev.	B
		<b>MDG40 (RL)</b> A4 sheet 1/1