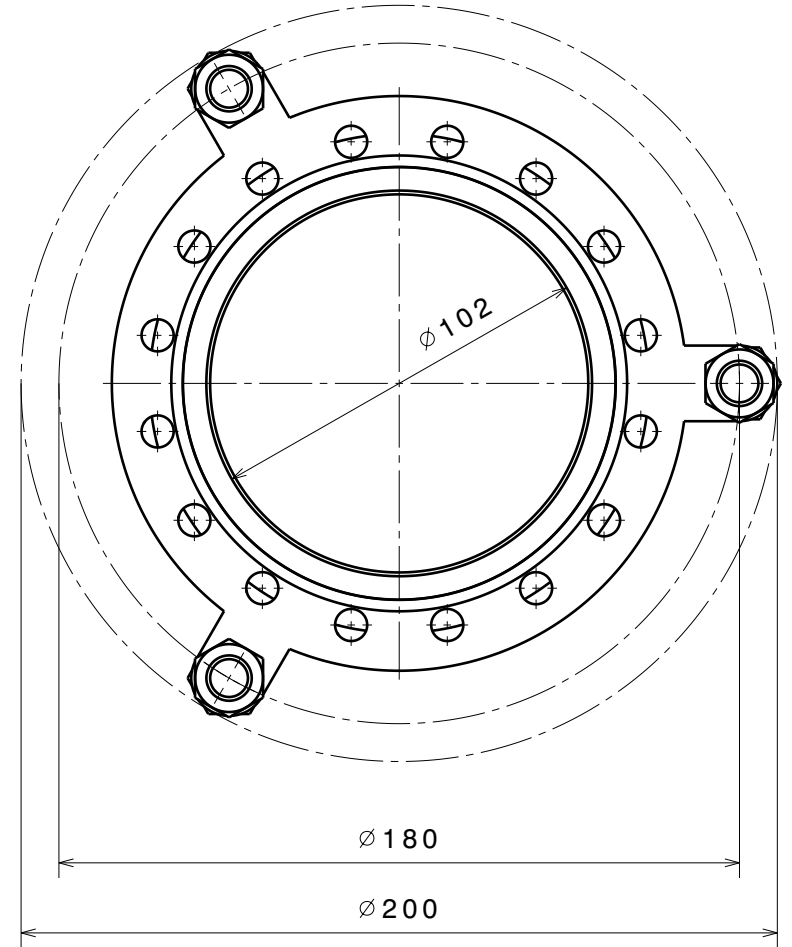
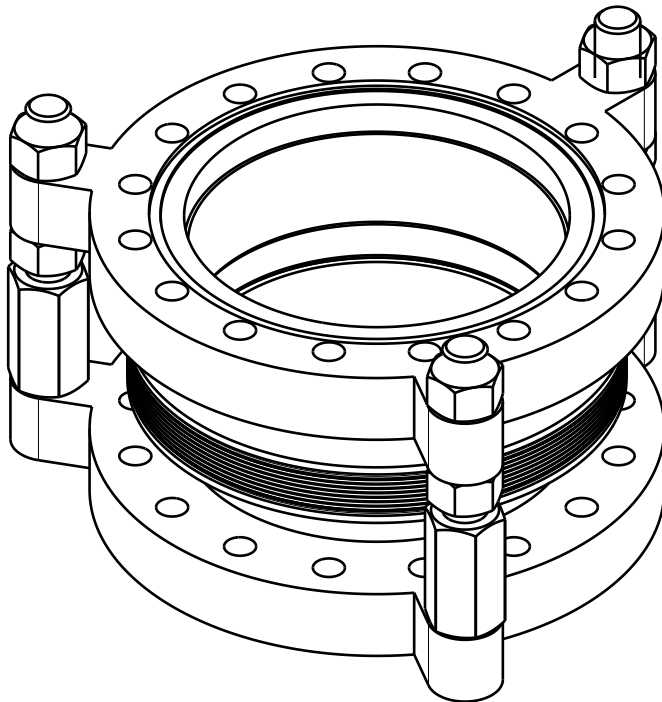
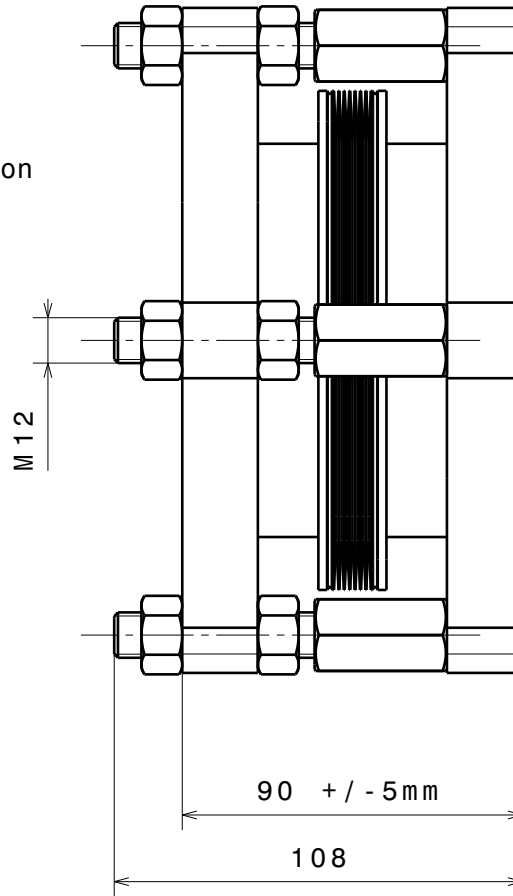


+/- 3° angular deflection



$\nabla$  Ra 0.8 (✓)
   
 $\swarrow$  +0.2 / +0.1
   
 $\searrow$  -0.1 / -0.2

Material: all UHV compatible	nominal ≤30mm	DIN ISO 2768-f-H
	dimensions >30mm	DIN ISO 2768-m-K excluding Sym./Runout
Port Aligner DN100CF	Sym./Runout >30mm	DIN ISO 2768-H
	formed part dimensions	DIN ISO 2768-f-H
PA	Scale	Drawn J.Buechi
	Date	14.03.2018
	Changed	.....
<b>Ferrovac GmbH</b> CH-8050 Zurich	THE INFORMATION CONTAINED IN THIS DRAWING IS THE SOLE PROPERTY OF FERROVAC GMBH. ANY REPRODUCTION IN PART OR AS WHOLE WITHOUT OUR PERMISSION IS PROHIBITED.	1:2
		Rev. A
		<b>PA100E</b> A4 sheet 1/1