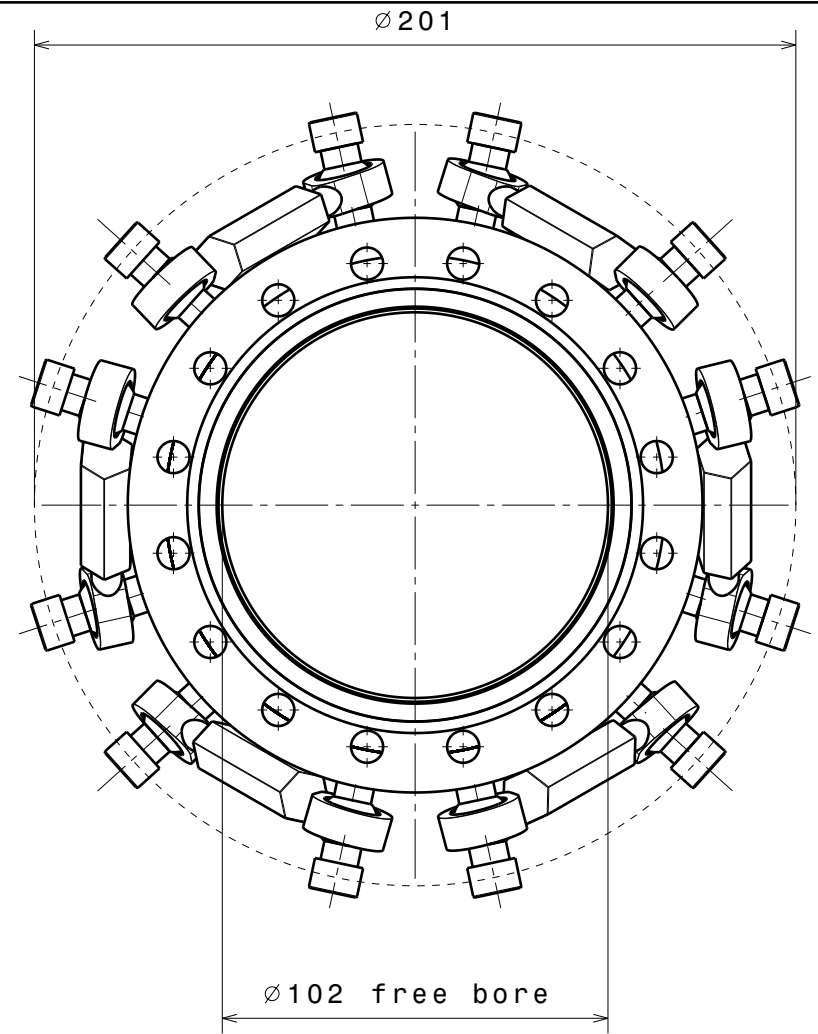
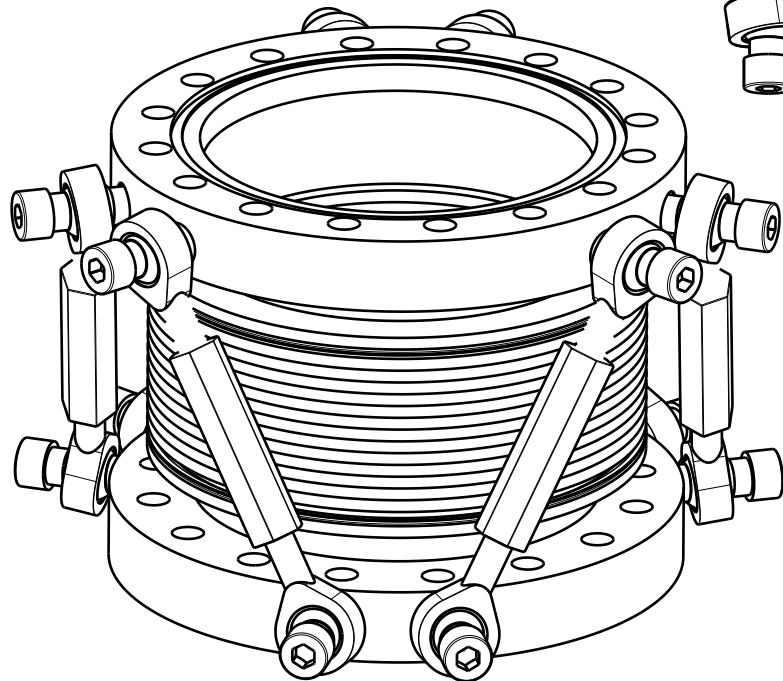
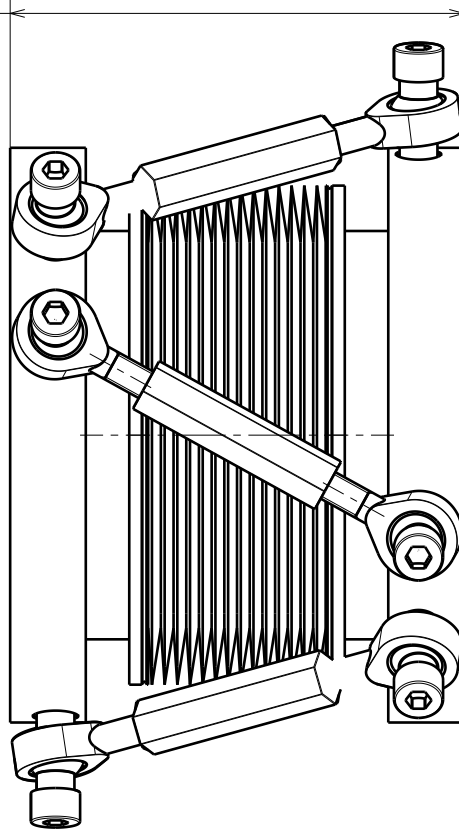


insertion length = 120 +/-5mm

angular deflection +/-5°

lateral deflection +/-5mm



$\sqrt{\text{Ra } 0.8}$  (✓)  $\begin{matrix} +0.2 \\ +0.1 \end{matrix}$   $\begin{matrix} -0.1 \\ -0.2 \end{matrix}$   
 general tolerances ISO 2768-K

Material: 316L & 304L		nominal	over	1	6	30	100	300	1000
Hexapod Port Aligner DN100CF		dimension up to		6	30	100	300	1000	2000
Clear holes		tolerance ±		0.05	0.1	0.3	0.5	0.8	1.2
		Scale	Drawn	U. Maier					
			Date	17.1.2014					
			changed	14.10.2014DS					
<b>Ferrovac GmbH</b>		THE INFORMATION CONTAINED IN THIS DRAWING IS THE SOLE PROPERTY OF FERROVAC GMBH. ANY REPRODUCTION IN PART OR AS WHOLE WITHOUT OUR PERMISSION IS PROHIBITED.		1:2		<b>PA100HEX</b>			
CH-8050 Zurich		Rev.	B						
				sheet 1/1					