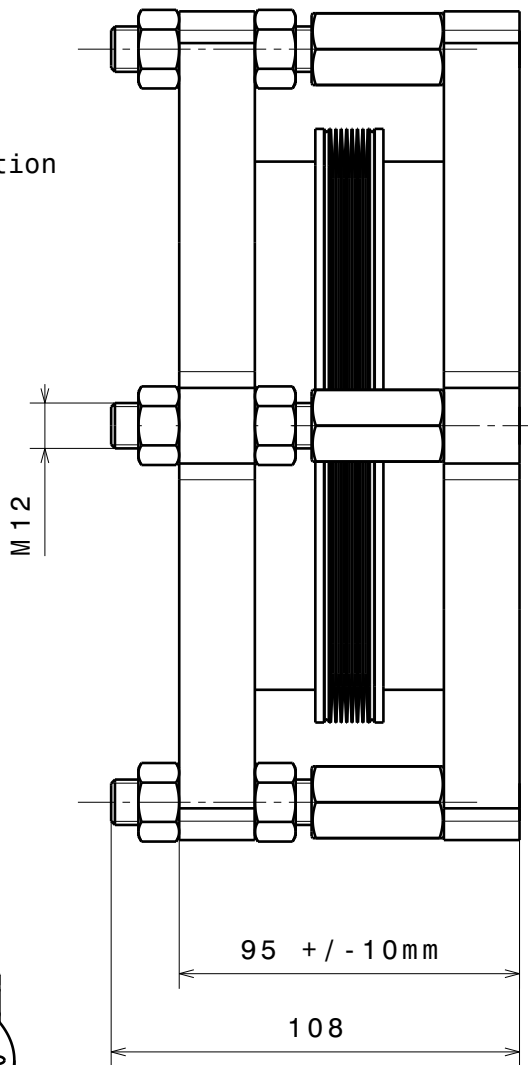
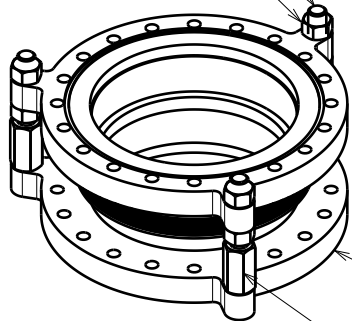


+/- 3° angular deflection



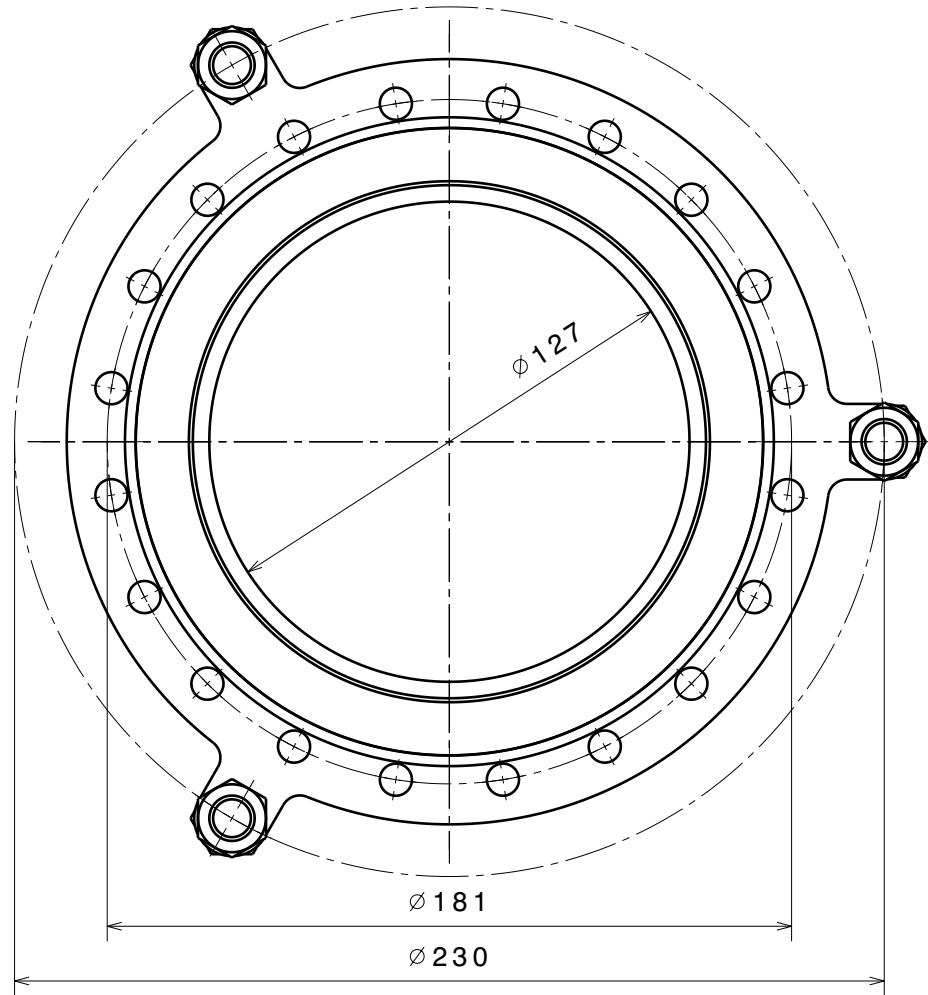
3x M12x108
(FABMS12)

6x 6kt Mutter M12



Balgeinheit DN160CF

3x 6kt Mutter
M12x35 (NTFLS12-35)



∇ Ra 0.8 (✓) \swarrow +0.2 / +0.1 \searrow -0.1 / -0.2

Material: all UHV compatible	nominal $\leq 30\text{mm}$	DIN ISO 2768-f-H
	dimensions $> 30\text{mm}$	DIN ISO 2768-m-K excluding Sym./Runout
Port Aligner DN160CF	Sym./Runout $> 30\text{mm}$	DIN ISO 2768-H
	formed part dimensions	DIN ISO 2768-f-H
PA	Scale	Drawn J.Buechi
	1:2	Date 22.11.2018
Ferrovac GmbH CH-8050 Zurich	(1:5)	Changed 26.11.2018 JB
	Rev. B	PA160E A4 sheet 1/2

THE INFORMATION CONTAINED IN THIS DRAWING IS THE SOLE PROPERTY OF FERROVAC GMBH. ANY REPRODUCTION IN PART OR AS WHOLE WITHOUT OUR PERMISSION IS PROHIBITED.