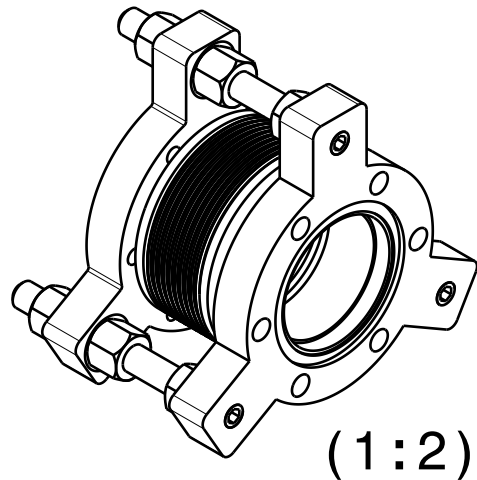


Insertion length = 60 +4/-11.3



(1:2)

Insertion length: +4 / -11.3mm
 Angle deflection: +/- 5°
 max. bakeout temperature: 200°C

Material: All UHV compatible	nominal	over	1	6	30	100	300	1000
Port Aligner DN40CF	dimension up to		6	30	100	300	1000	2000
	tolerance ±		0.05	0.1	0.3	0.5	0.8	1.2
PA	Scale	Drawn	U. Maier					
Ferrovac GmbH	1:1 (1:2)	Date	14.01.2014					
		changed	30.09.2020 MFM					
CH-8050 Zurich	Rev.	B	PA40E sheet 1/1					

THE INFORMATION CONTAINED IN THIS DRAWING IS THE SOLE PROPERTY OF FERROVAC GMBH. ANY REPRODUCTION IN PART OR AS WHOLE WITHOUT OUR PERMISSION IS PROHIBITED.