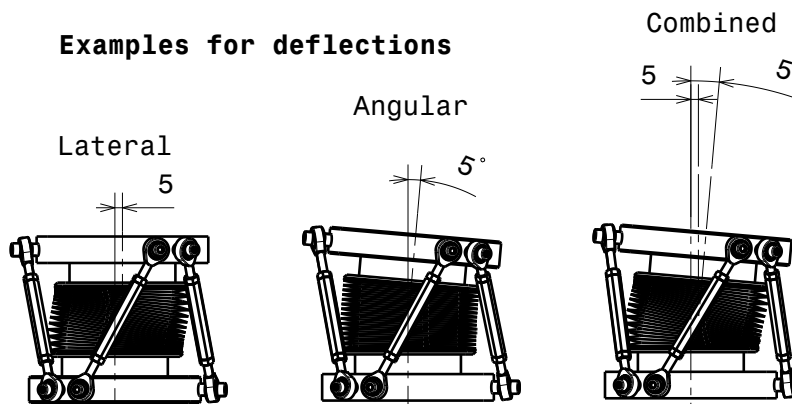


Examples for deflections



Lateral range: ±5mm
 Angle deflection: ±5°
 Length range: ±5mm

Ra 0.8 (✓) $\begin{matrix} +0.2 \\ +0.1 \\ -0.1 \\ -0.2 \end{matrix}$

Material: all UHV compatible		nominal ≤30mm	DIN ISO 2768-f-H
		dimensions >30mm	DIN ISO 2768-m-K excluding Sym./Runout
Hexapod Port Aligner DN63CF for angular and lateral displacement		Sym./Runout >30mm	DIN ISO 2768-H
		formed part dimensions	DIN ISO 2768-f-H
Scale	1:2	Drawn	D.Rechsteiner
PA63HEX		Date	13.01.2012
		Changed	27.03.2024 CW
Ferrovac CH-8050 Zurich	THE INFORMATION CONTAINED IN THIS DRAWING IS THE SOLE PROPERTY OF FERROVAC. ANY REPRODUCTION IN PART OR AS WHOLE WITHOUT OUR PERMISSION IS PROHIBITED.	PA63HEX	
Rev.	C	A4 sheet 1/1	

** AF = Across Flats / Wrench Size