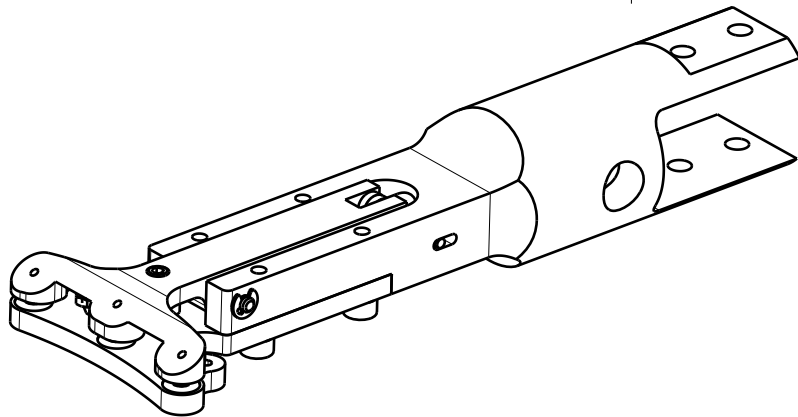


adjustable limit stop for the different wafer sizes

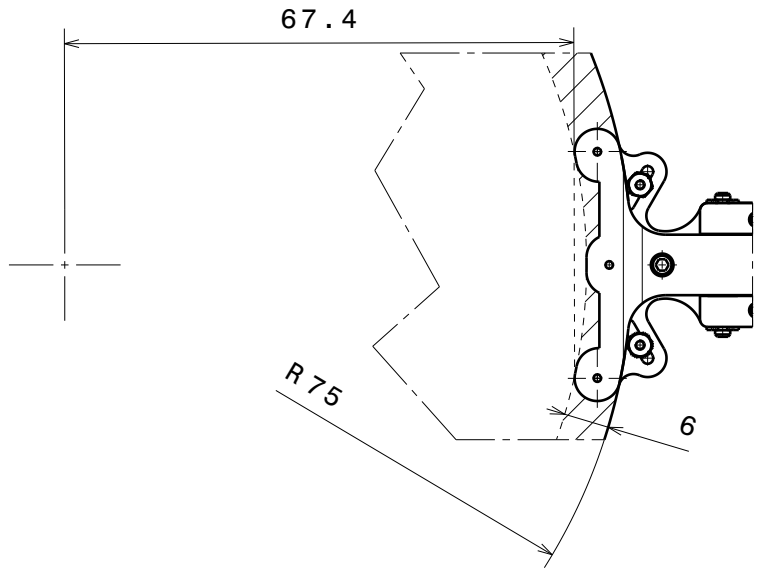


∇ Ra 0.8 (✓) ∇ $\begin{matrix} +0.2 \\ +0.1 \end{matrix}$ ∇ $\begin{matrix} -0.1 \\ -0.2 \end{matrix}$

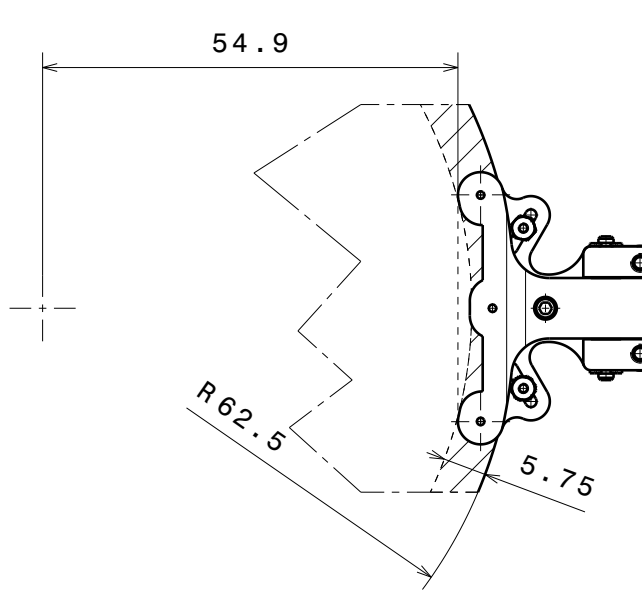
Material: fully UHV compatible		nominal ≤ 30 mm	DIN ISO 2768-f-H
		dimensions > 30 mm	DIN ISO 2768-m-K excluding Sym./Runout
Straight Pincer High Force Version for Wafer		Sym./Runout > 30 mm	DIN ISO 2768-H
PGHFMMWAF		formed part dimensions	DIN ISO 2768-f-H
Scale	1:1	Drawn	C.Weiss
		Date	03.05.2018
		Changed
Ferrovac GmbH CH-8050 Zurich		PGHFMMWAF	
Rev.	A	A4 sheet 1/1	

THE INFORMATION CONTAINED IN THIS DRAWING IS THE SOLE PROPERTY OF FERROVAC GMBH. ANY REPRODUCTION IN PART OR AS WHOLE WITHOUT OUR PERMISSION IS PROHIBITED.

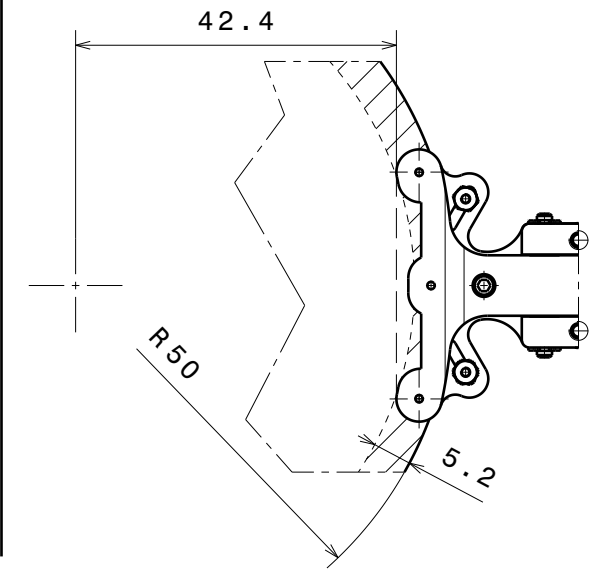
"6 inch Wafer



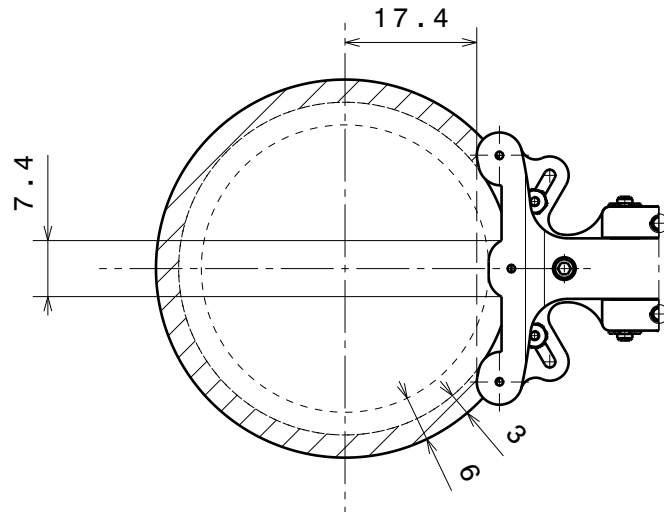
"4.9 inch Wafer



"4 inch Wafer



"2 inch Wafer



$\sqrt{\text{Ra } 0.8}$ (✓)
 $\swarrow \begin{matrix} +0.2 \\ +0.1 \end{matrix}$
 $\searrow \begin{matrix} -0.1 \\ -0.2 \end{matrix}$

Material: fully UHV compatible

Straight Pincer High Force
Version for Wafer

PGHFMMWAF

Ferrovac GmbH
CH-8050 Zurich

THE INFORMATION CONTAINED IN THIS
DRAWING IS THE SOLE PROPERTY OF
FERROVAC GMBH. ANY REPRODUCTION
IN PART OR AS WHOLE WITHOUT OUR
PERMISSION IS PROHIBITED.

nominal	≤30mm	DIN ISO 2768-f-H
dimensions	>30mm	DIN ISO 2768-m-K excluding Sym./Runout
Sym./Runout	>30mm	DIN ISO 2768-H
formed part dimensions		DIN ISO 2768-f-H
Scale	Drawn	C.Weiss
	Date	03.05.2018
	Changed
		PGHFMMWAF
Rev.	A	A4 sheet 1/1

1:1