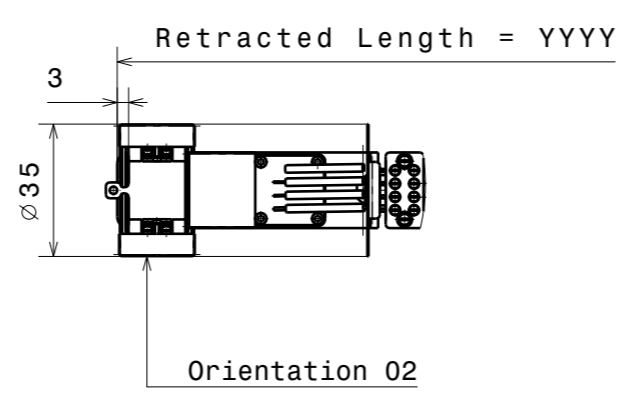
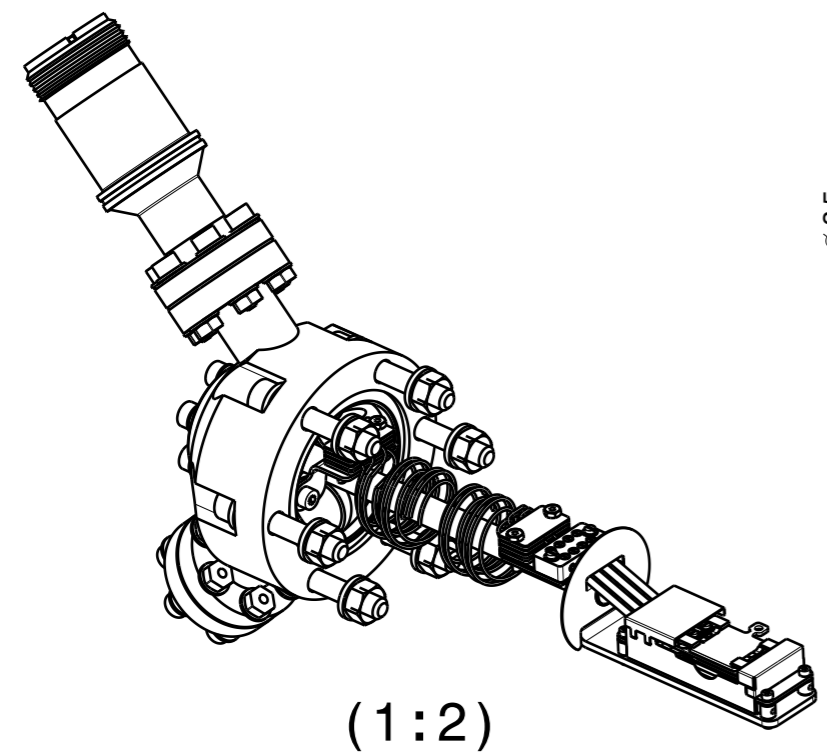
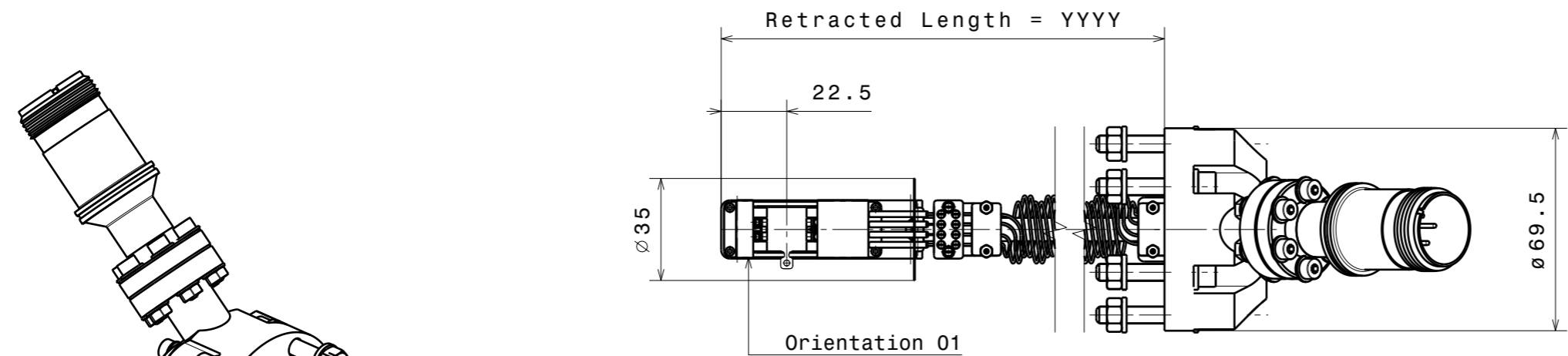


Terminal	Function
A	heater -
B	TC - (Ni-Al)
C	TC + (Ni-Cr)
D	heater +



(sample plate not incl.)

Material:	nominal ≤30mm dimensions >30mm	DIN ISO 2768-f-H DIN ISO 2768-m-K excluding Sym./Runout
PBN Heating Station for Flag Style Plates	Sym./Runout >30mm	DIN ISO 2768-H
	formed part dimensions	DIN ISO 2768-f-H
Ferrovac CH-8050 Zurich	Scale	1:2
	Drawn	J. Buechi
	Date	05.05.2021
THE INFORMATION CONTAINED IN THIS DRAWING IS THE SOLE PROPERTY OF FERROVAC. ANY REPRODUCTION IN PART OR AS WHOLE WITHOUT OUR PERMISSION IS PROHIBITED.	Changed	24.11.25 GS
	Rev.	F
		HSASOM40 (PBN)
		A3 sheet 1/1

** Heating stages manufactured before November 2023, are categorized under revision C and possess a smaller space of 13.6mm. Please note that these stages might not be compatible with certain standard Ferrovac SHOM models (e.g., SHOM3T).