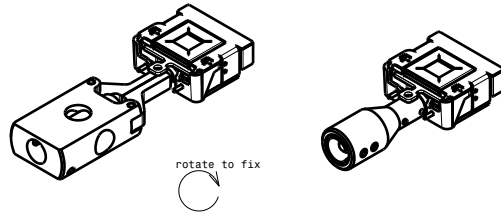
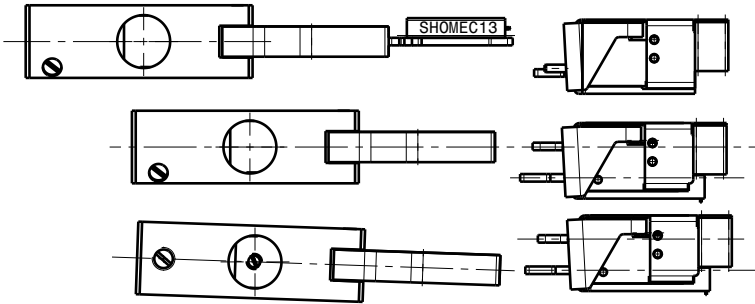
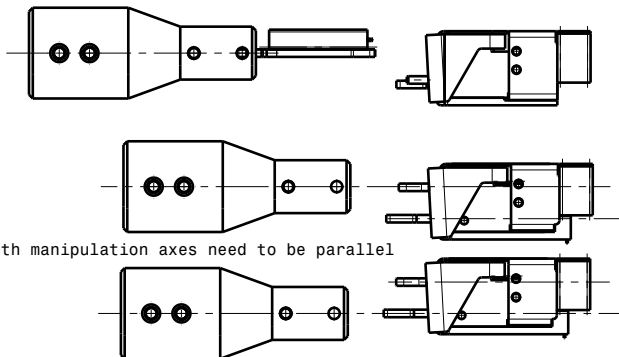


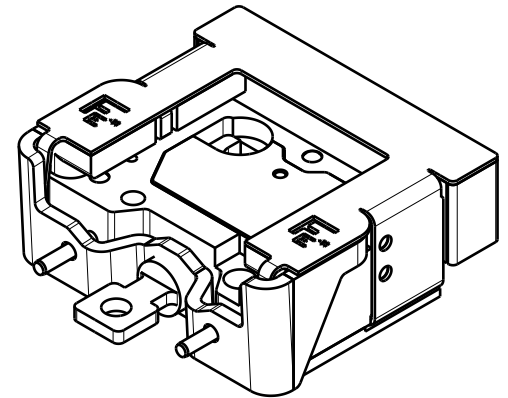
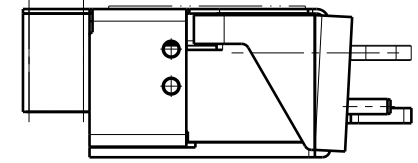
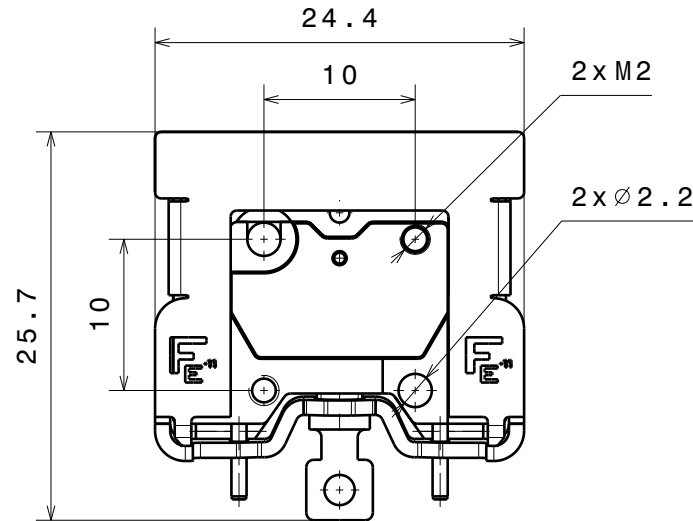
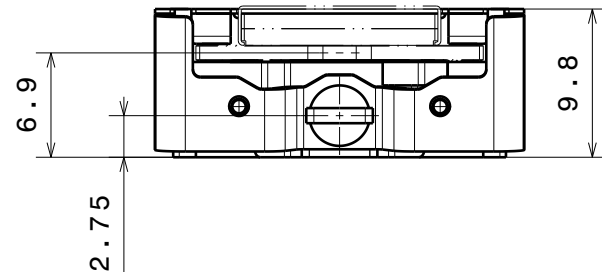
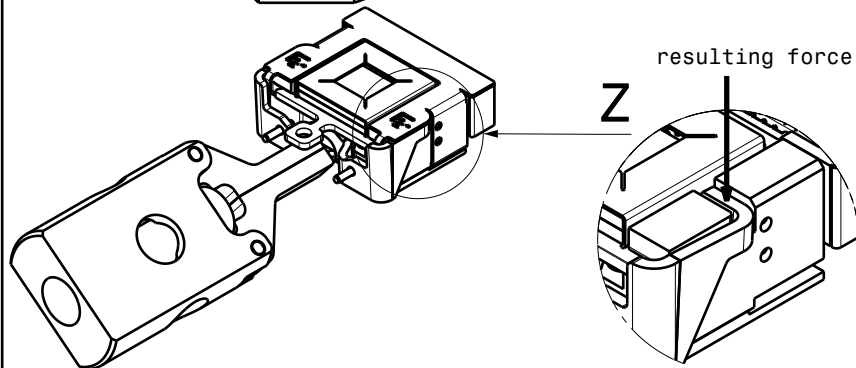
PGWMS



GRABSHOM



both manipulation axes need to be parallel



Material: All UHV compatible

Cryo Sample Receiver with 13 electrical Contacts, mounting in arbitrary orientation

Ferrovac GmbH
CH-8050 Zurich

THE INFORMATION CONTAINED IN THIS DRAWING IS THE SOLE PROPERTY OF FERROVAC GMBH. ANY REPRODUCTION IN PART OR AS WHOLE WITHOUT OUR PERMISSION IS PROHIBITED.

nominal ≤30mm DIN ISO 2768-f-H
dimensions >30mm DIN ISO 2768-m-K excluding Sym./Runout

Sym./Runout >30mm DIN ISO 2768-H

formed part dimensions DIN ISO 2768-f-H

Scale Drawn M. Müller

Date 26.01.2021

Changed 23.06.21 CW

2:1 RECOMCREC13V3

Rev. B

A4 sheet 1/1