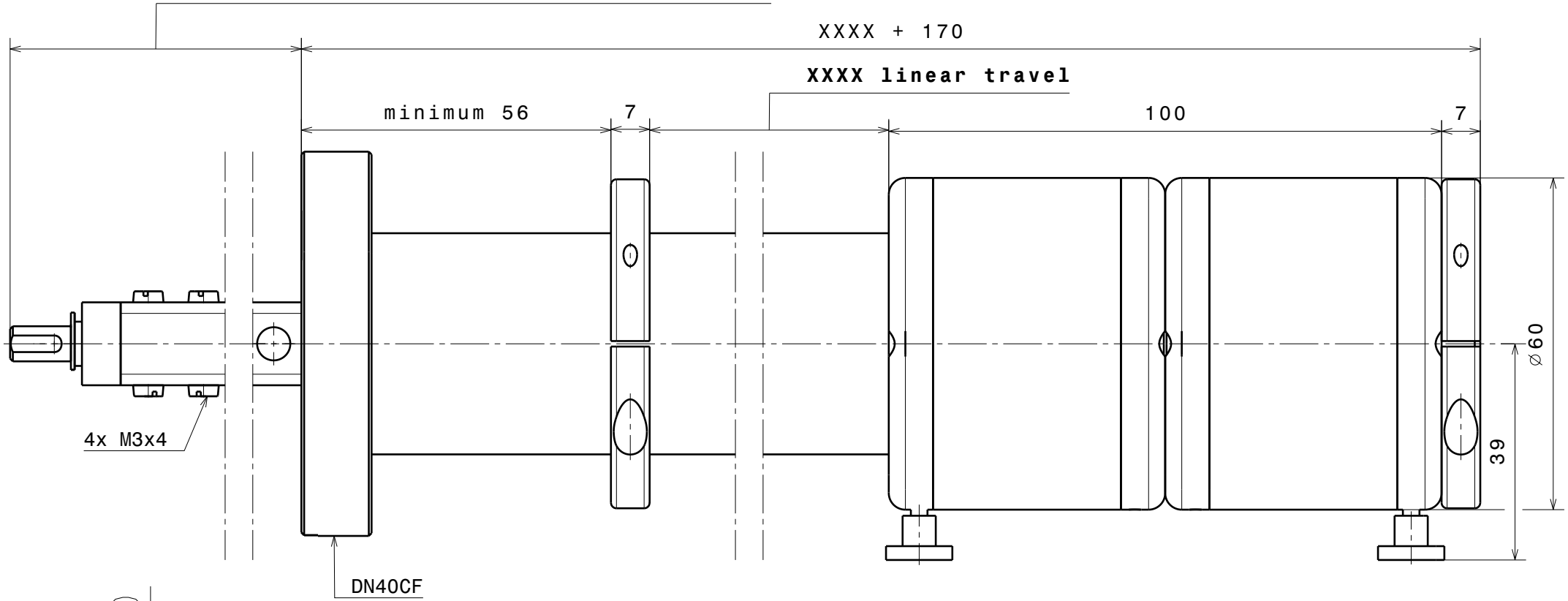


YYYY retracted (minimum 45, standard 50)

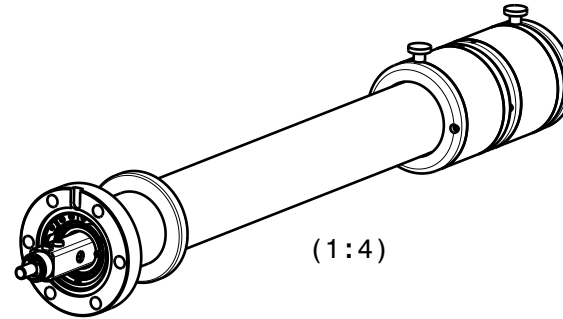
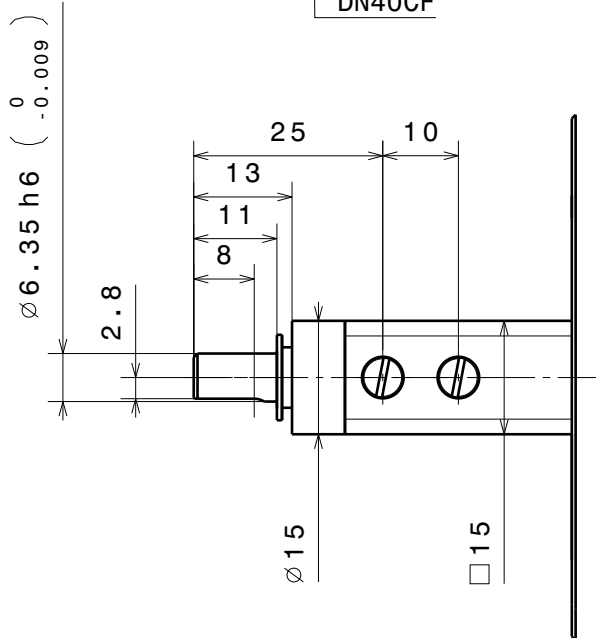
XXXX + 170

XXXX linear travel



4x M3x4

DN40CF



(1:4)

$\sqrt{\text{Ra 1.6}}$  (✓)  $\begin{matrix} +0.2 \\ +0.1 \end{matrix}$   $\begin{matrix} -0.1 \\ -0.2 \end{matrix}$   
 general tolerances ISO 2768-K

Material: All UHV compatible		Nennmass über	1	6	30	100	300	1000
		bis	6	30	100	300	1000	2000
Dual Shaft Rotateable Sample Transporter		Toleranz ±	0.05	0.1	0.3	0.5	0.8	1.2
RMDG40		Masstab	gezeichnet U. Maier					
			Datum		06.05.2010			
			geändert		02.09.14 CW			
<b>Ferrovac GmbH</b>		<b>1:1</b>		<b>RMDG40</b>				
CH-8050 Zürich		(1:4)		sheet 1/1				
		Rev. C						
<small>THE INFORMATION CONTAINED IN THIS DRAWING IS THE SOLE PROPERTY OF FERROVAC GMBH. ANY REPRODUCTION IN PART OR AS WHOLE WITHOUT OUR PERMISSION IS PROHIBITED.</small>								