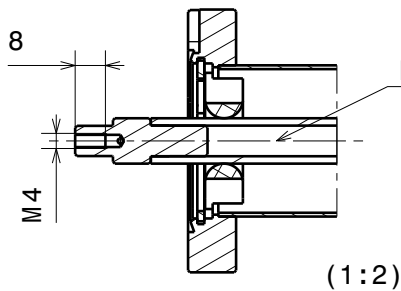
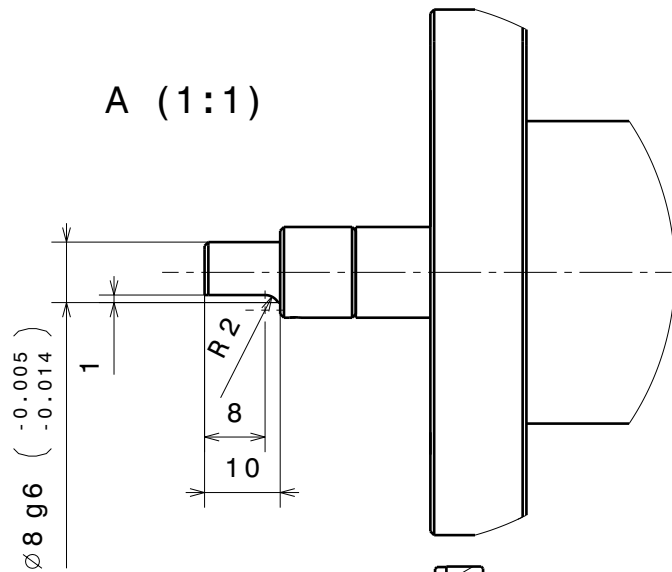
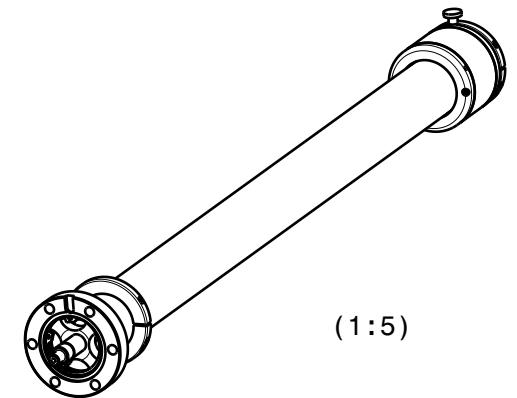


A (1:1)



(1:2)



(1:5)

Material: all UHV compatible	nominal dimension up to	1	6	30	100	300	1000
Sample Transporter with hollow shaft	tolerance ±	0.05	0.1	0.3	0.5	0.8	1.2
	Scale	Drawn	D.Rechsteiner				
RMHS40	1:2	Date	11.08.2014				
Ferrovac GmbH CH-8050 Zurich	(1:1)	changed	08.10.18 CW				
	(1:5)	RMHS40 sheet 1/1					
Rev. D							

THE INFORMATION CONTAINED IN THIS DRAWING IS THE SOLE PROPERTY OF FERROVAC GMBH. ANY REPRODUCTION IN PART OR AS WHOLE WITHOUT OUR PERMISSION IS PROHIBITED.