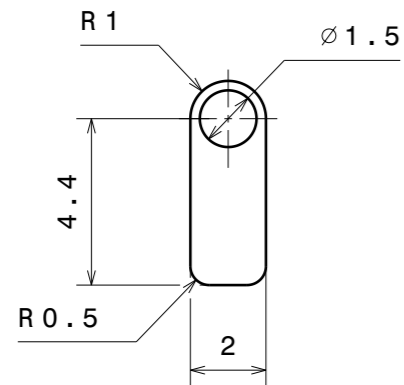
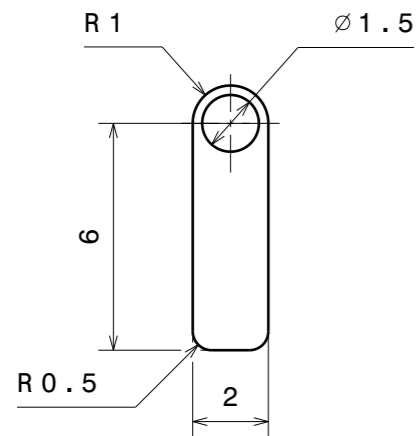


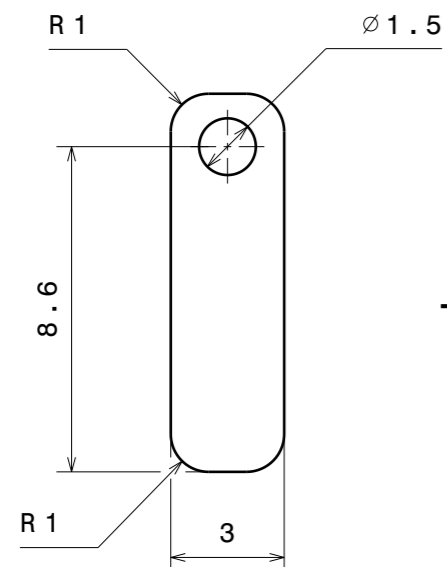
SHFS Options 5:1



SHFS4
t = 0.1mm

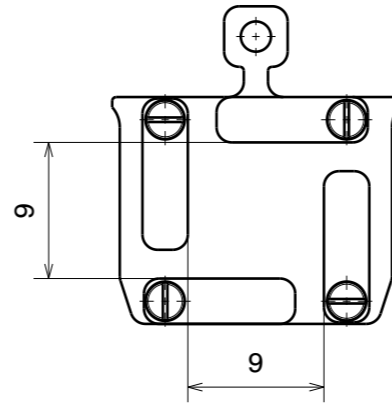


SHFS6
t = 0.1mm

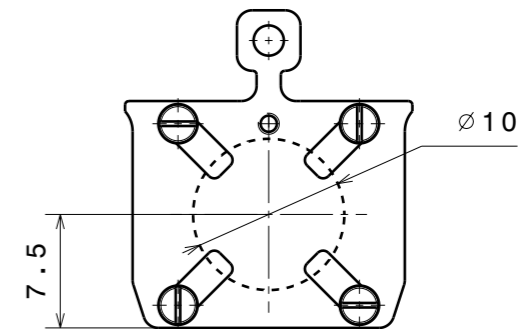


SHFS9
t = 0.2mm

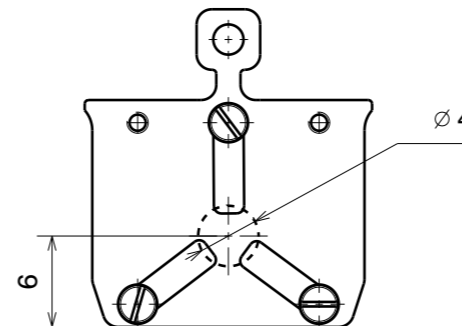
Application Examples 2:1



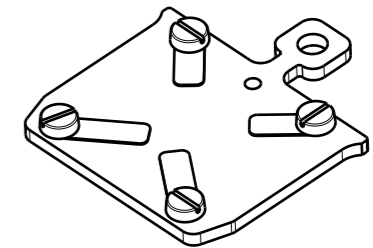
SHOMT - SHFS9



SHOMT - SHFS4



SHOMT - SHFS6



$\sqrt{\text{Ra } 0.8}$ (✓)
 $\begin{matrix} +0.2 \\ +0.1 \end{matrix}$
 $\begin{matrix} -0.1 \\ -0.2 \end{matrix}$

Material: UHV compatible	nominal ≤30mm dimensions >30mm	DIN ISO 2768-f-H DIN ISO 2768-m-K excluding Sym./Runout
Sample Holder Flat Springs	Sym./Runout >30mm	DIN ISO 2768-H
	formed part dimensions	DIN ISO 2768-f-H
SHFS	Scale	Drawn M.Maier
	5:1 (2:1)	Date
Rev. A		Changed
Ferrovac CH-8050 Zurich	THE INFORMATION CONTAINED IN THIS DRAWING IS THE SOLE PROPERTY OF FERROVAC. ANY REPRODUCTION IN PART OR AS WHOLE WITHOUT OUR PERMISSION IS PROHIBITED.	SHFS A3 sheet 1/1