

sample holding produkts:

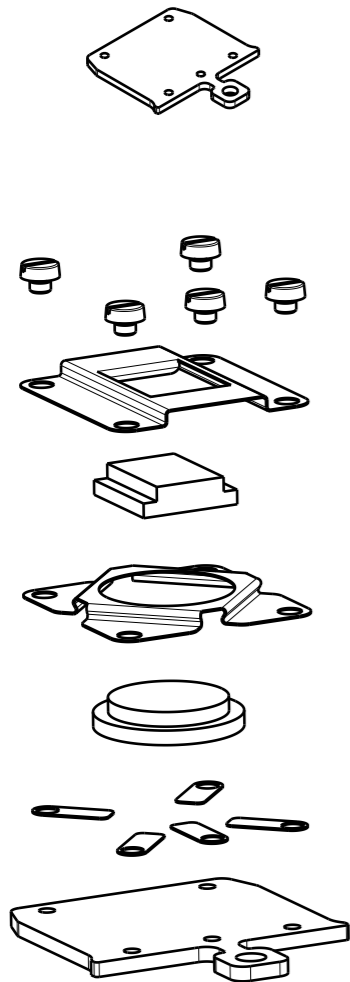
SHOMT

SHOMTCH

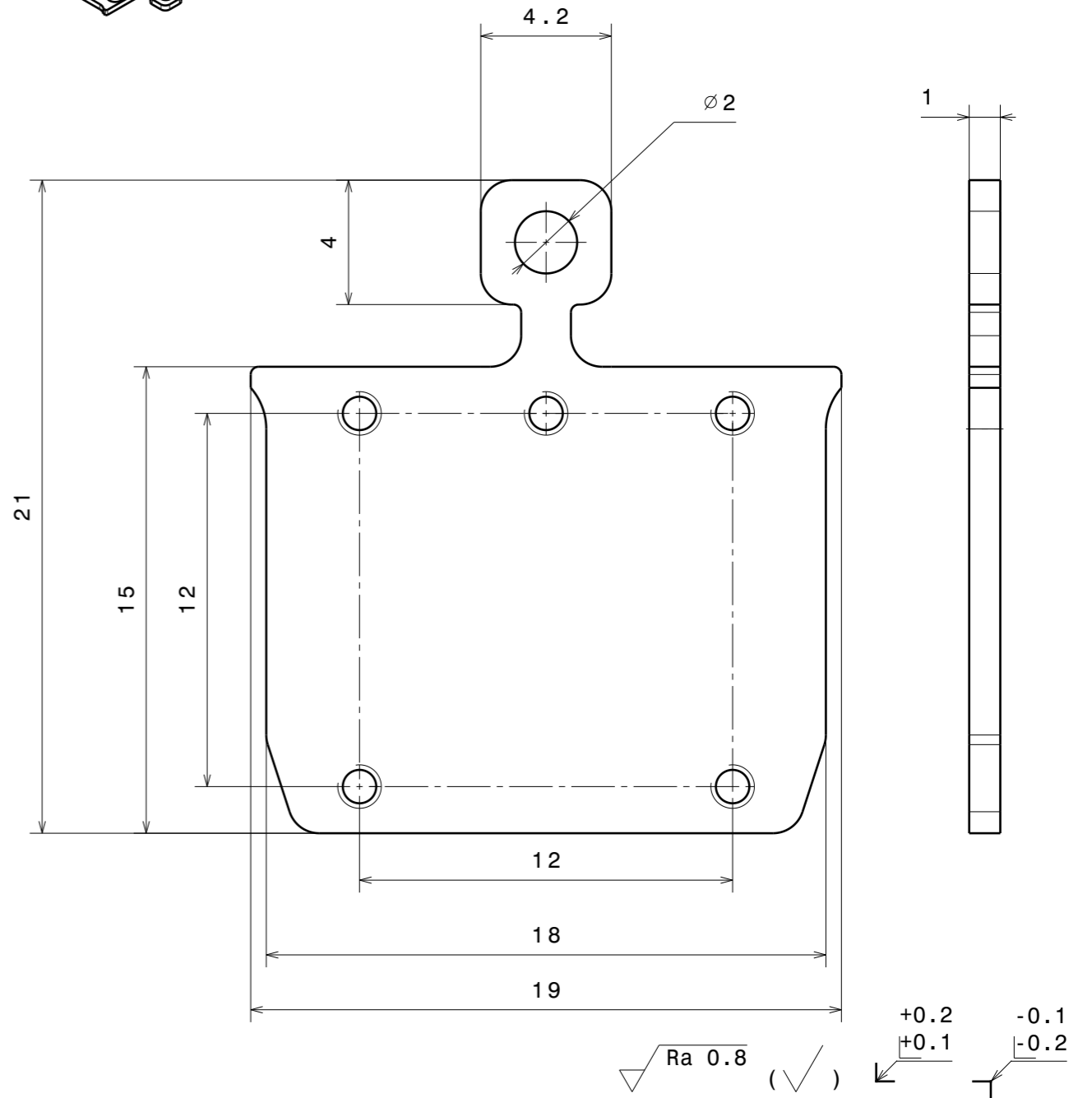
SHOMTCHR

SHOM3T

SHOM4T



- screws M1.4  
available in different materials and length, 10 pcs. per package
- rectangular plate for single crystal
- single crystal
- round holding plate for single crystal
- single crystal
- **SHFS (Material) PK12**  
Flat Spring for Sample Holding on SHOMT, 12pcs per package
- Product Code: **SHOMT (Material)**  
Flag Style Sample Plate with 5xM1.4 Threads



Material: fully UHV compatible materials		nominal ≤30mm	DIN ISO 2768-f-H
		dimensions >30mm	DIN ISO 2768-m-K excluding Sym./Runout
sample holding Produkts on SHOM plates		Sym./Runout >30mm	DIN ISO 2768-H
SHOMT		formed part dimensions	DIN ISO 2768-f-H
Scale	1:1	Drawn	Vassalli
		Date	25.02.2019
		Changed	.....
<b>Ferrovac GmbH</b> CH-8050 Zurich		THE INFORMATION CONTAINED IN THIS DRAWING IS THE SOLE PROPERTY OF FERROVAC GMBH. ANY REPRODUCTION IN PART OR AS WHOLE WITHOUT OUR PERMISSION IS PROHIBITED.	
Rev.	A	SHOMT A3 sheet 1/1	