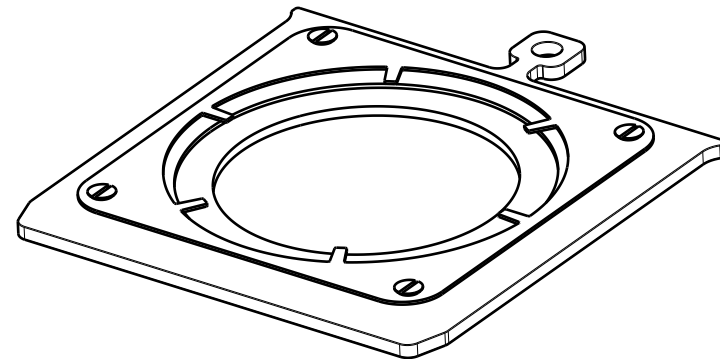
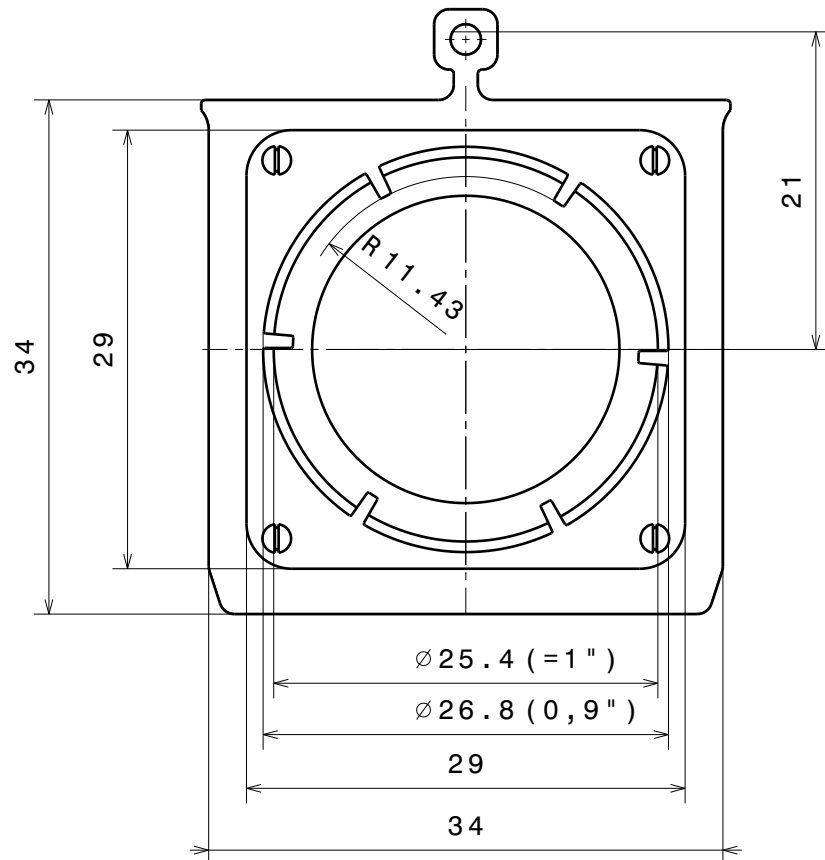
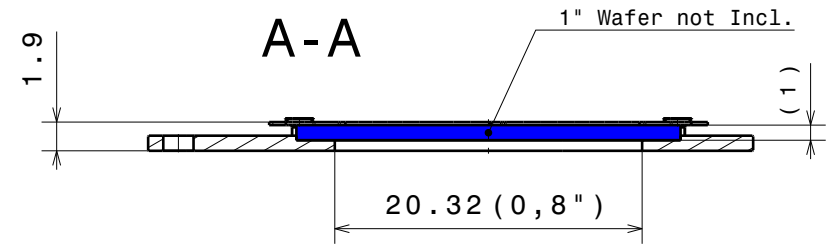
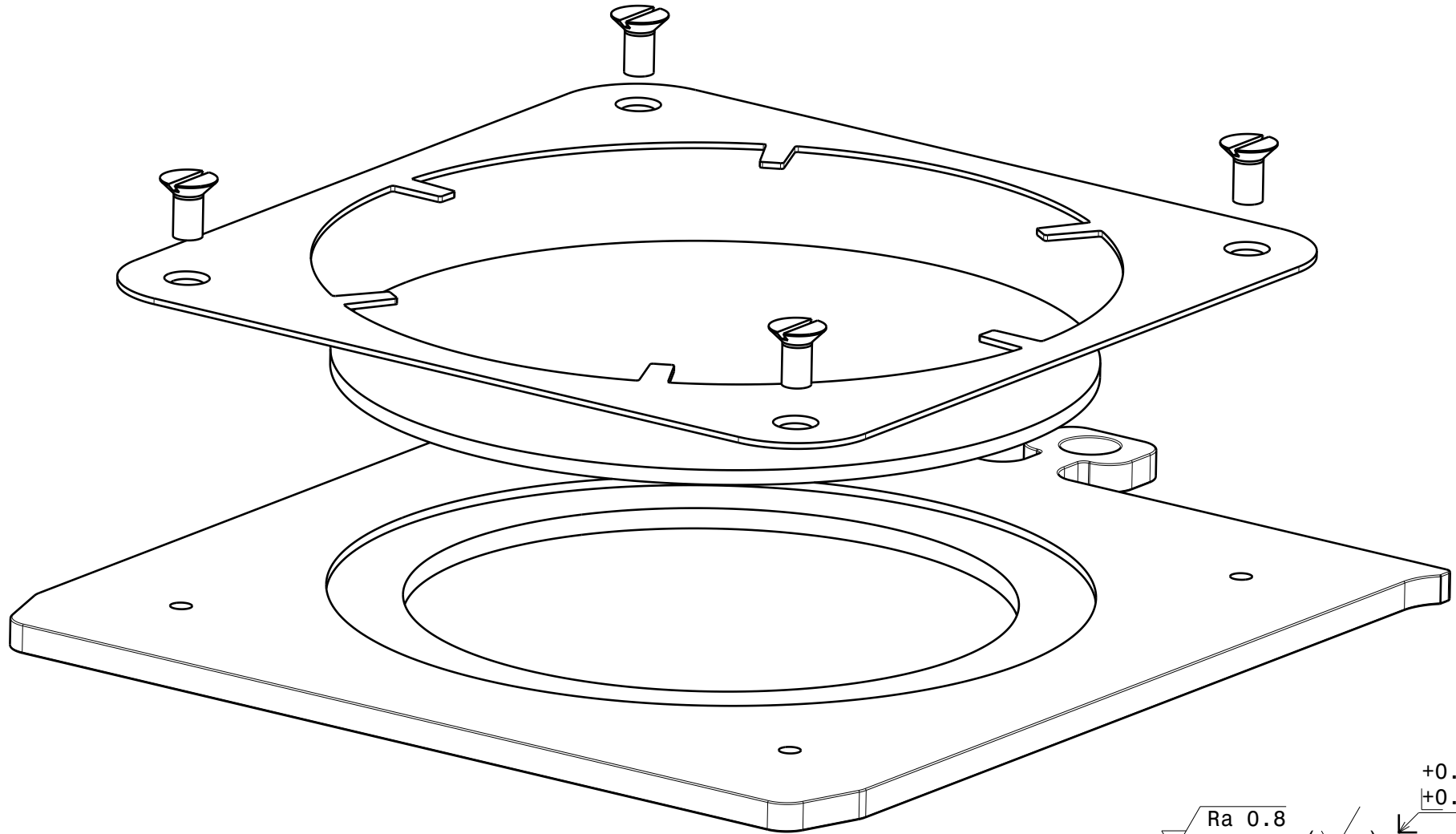


Application Example



$\sqrt{\text{Ra } 0.8}$ (✓) ↙ $\begin{matrix} +0.2 \\ +0.1 \end{matrix}$ ↘ $\begin{matrix} -0.1 \\ -0.2 \end{matrix}$ ↗
 general tolerances ISO 2768-K

Material: fully UHV compatible	nominal over	1	6	30	100	300	1000
Sample Holder for 1inch Wafer	dimension up to	6	30	100	300	1000	2000
	tolerance ±	0.05	0.1	0.3	0.5	0.8	1.2
	Scale	Drawn	C.Weiss				
		Date	12.07.2017				
		changed	25.08.20 CW				
Ferrovac GmbH CH-8050 Zurich	THE INFORMATION CONTAINED IN THIS DRAWING IS THE SOLE PROPERTY OF FERROVAC GMBH. ANY REPRODUCTION IN PART OR AS WHOLE WITHOUT OUR PERMISSION IS PROHIBITED.	2:1	SHUPSCH				
Rev.	B	A4 sheet 1/2					



$\sqrt{\text{Ra } 0.8}$ (✓) \swarrow $\begin{matrix} +0.2 \\ +0.1 \end{matrix}$ \searrow $\begin{matrix} -0.1 \\ -0.2 \end{matrix}$
 general tolerances ISO 2768-K

Material: fully UHV compatible		nominal	over	1	6	30	100	300	1000
Sample Holder for 1 inch Wafer		dimension up to		6	30	100	300	1000	2000
		tolerance \pm		0.05	0.1	0.3	0.5	0.8	1.2
		Scale	Drawn	C.Weiss					
			Date	12.07.2017					
			changed	25.08.20 CW					
Ferrovac GmbH		THE INFORMATION CONTAINED IN THIS DRAWING IS THE SOLE PROPERTY OF FERROVAC GMBH. ANY REPRODUCTION IN PART OR AS WHOLE WITHOUT OUR PERMISSION IS PROHIBITED.		5:1		SHUPSCH			
CH-8050 Zurich									