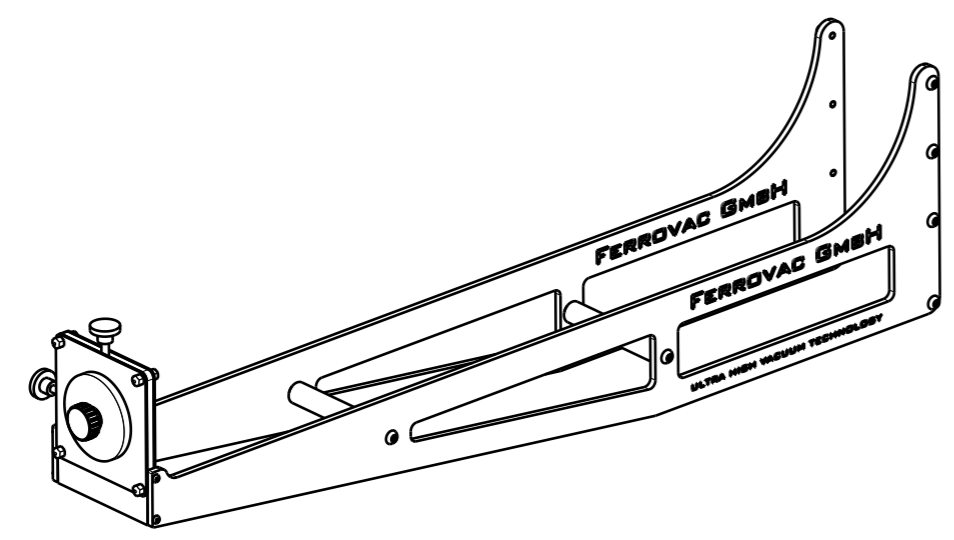
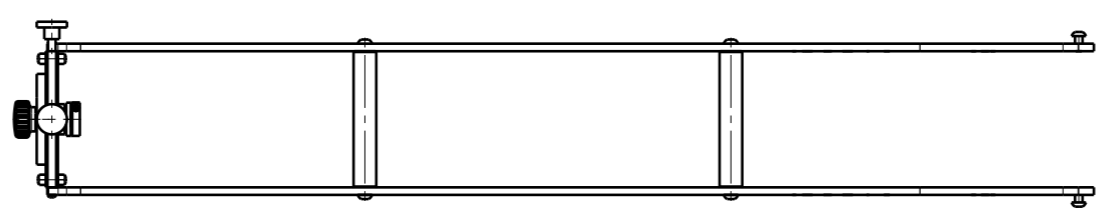
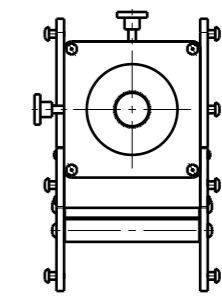
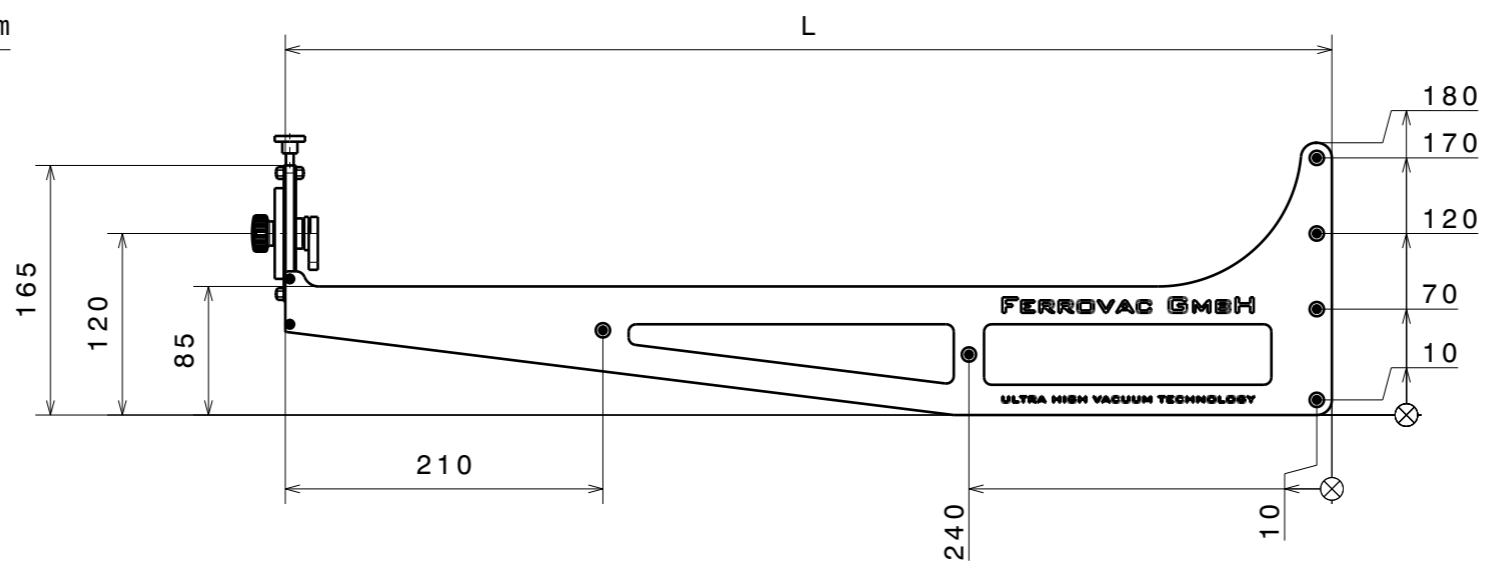
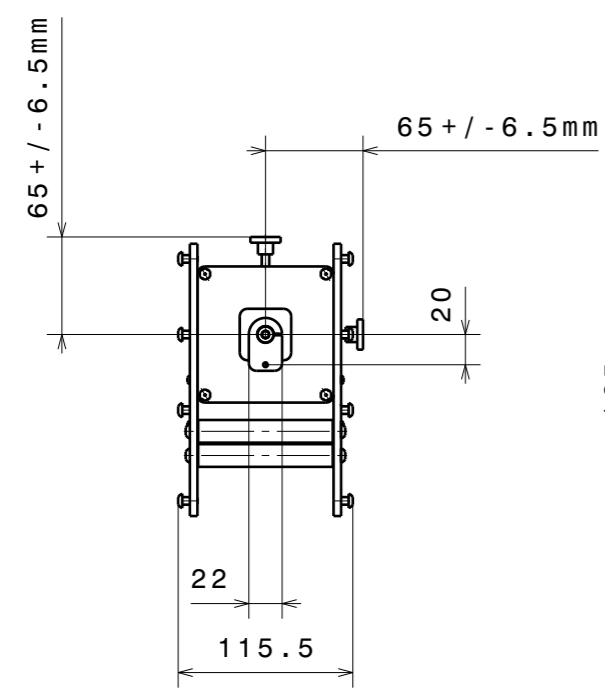


TSMVSNVXY
Alignment +/-6.5mm for Wobblestick

TSMVSNVL
Protection Rail for Wobblestick



XY Alignment and Protection Rail for Wobblestick on VSN40S(V)	nominal dimension	over up to	1	6	30	100	300	1000
	tolerance ±		0.05	0.1	0.3	0.5	0.8	1.2
Ferrovac GmbH CH-8050 Zurich	Scale	Drawn	S.Michels					
	1:5	Date	07.06.2017					
Rev. A		Changed					
THE INFORMATION CONTAINED IN THIS DRAWING IS THE SOLE PROPERTY OF FERROVAC GMBH. ANY REPRODUCTION IN PART OR AS WHOLE WITHOUT OUR PERMISSION IS PROHIBITED.		TSMVSNVXY A3 sheet 1/2						