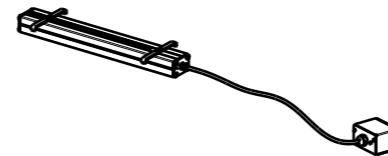
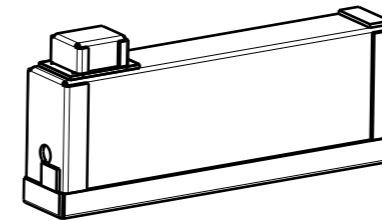


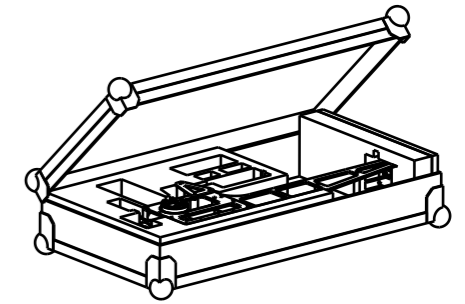
Accessories
incl. in scope of delivery



BKHEVSN40SWM
Heater Module



VSN40SBT
Bake-out tent



VSN40SFLIGHTCASE
Flightcase

CTD50
Liquid Nitrogen Dewar CF50
LN2 filling volume: -0.5lt

VG40VAT (UNF)
Gatevalve with UNF threads

AFCF40KF40L25
CF - KF Adapter

VSN40SRKKF
Buffer Volume KF40

**Grabber tools for various
Sample Holder systems**

- Flagstyle Sample plates
- Dovetail Cry Shuttles
- Leica Blocks
- Atom Probe Pucks - available directly from CAMECA

ADTSVSNWMXY
Wobblestick Fine
Alignment Adapterplate

WM40
Single shaft wobblestick
available linear travel:
- 700mm

LSN1
Controller for
NEG activation

LSA3
Battery powered
ion pump controller

PUSAESNEXTorr@D200-5
Ion combination pump 200l/s H2

Ra 0.8 (✓) $\begin{matrix} +0.2 \\ +0.1 \\ -0.1 \\ -0.2 \end{matrix}$

Material: various	nominal $\leq 30\text{mm}$	DIN ISO 2768-f-H
	dimensions $> 30\text{mm}$	DIN ISO 2768-m-K excluding Sym./Runout
	Sym./Runout $> 30\text{mm}$	DIN ISO 2768-H
Ultra High Vacuum Cryo Transfer Suitcase - Long throw	formed part dimensions	DIN ISO 2768-f-H
UHVCTSL	Scale	Drawn L.Jeromin
	1:4	Date 12.09.2023
	(1:15)	Changed
	(1:20)	
Ferrovac CH-8050 Zurich	THE INFORMATION CONTAINED IN THIS DRAWING IS THE SOLE PROPERTY OF FERROVAC. ANY REPRODUCTION IN PART OR AS WHOLE WITHOUT OUR PERMISSION IS PROHIBITED.	UHVCTSL
Rev. A		A3 sheet 1/2

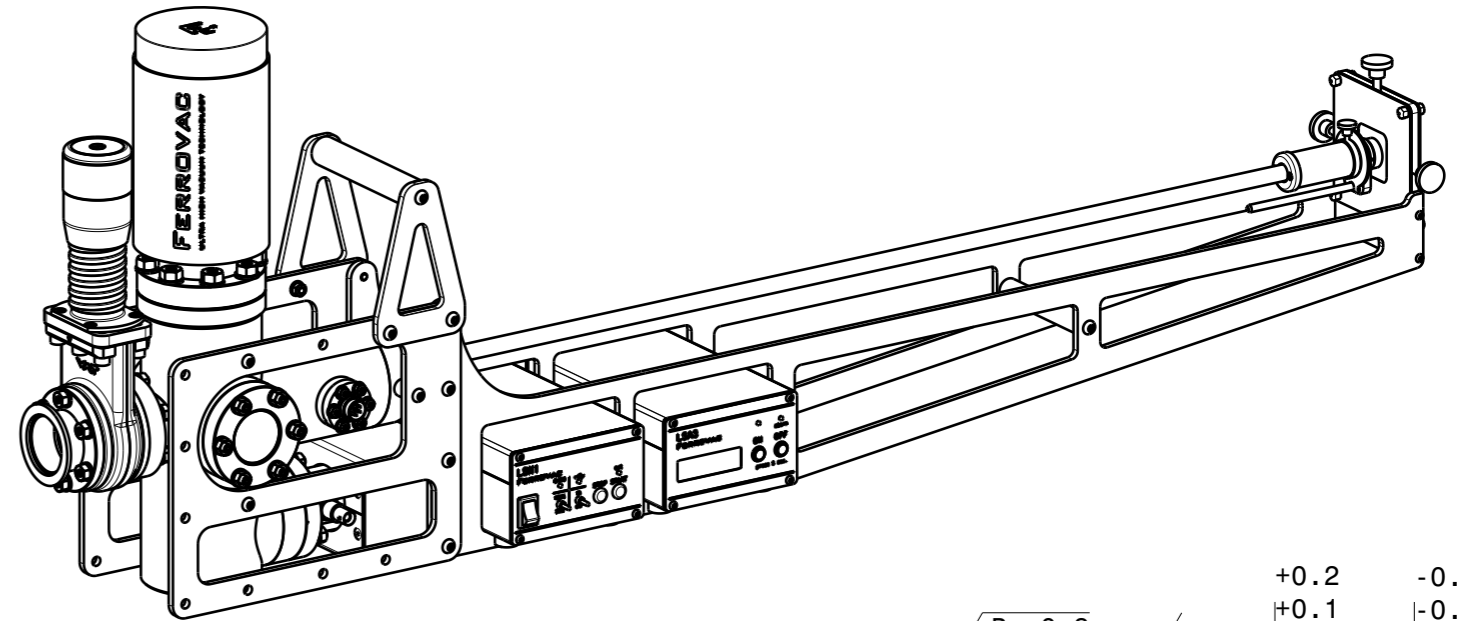
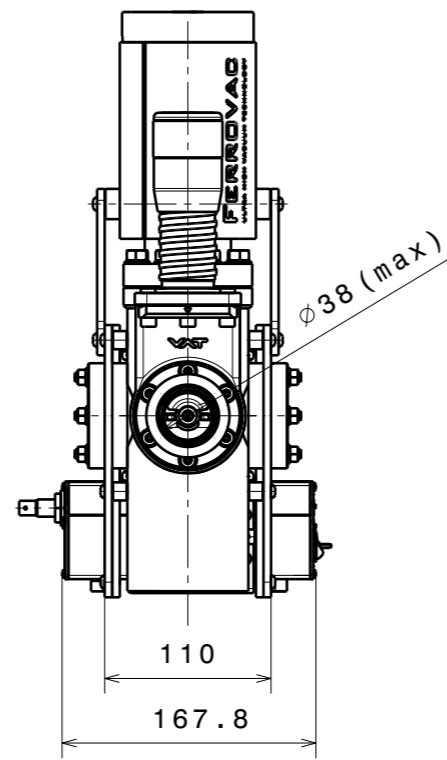
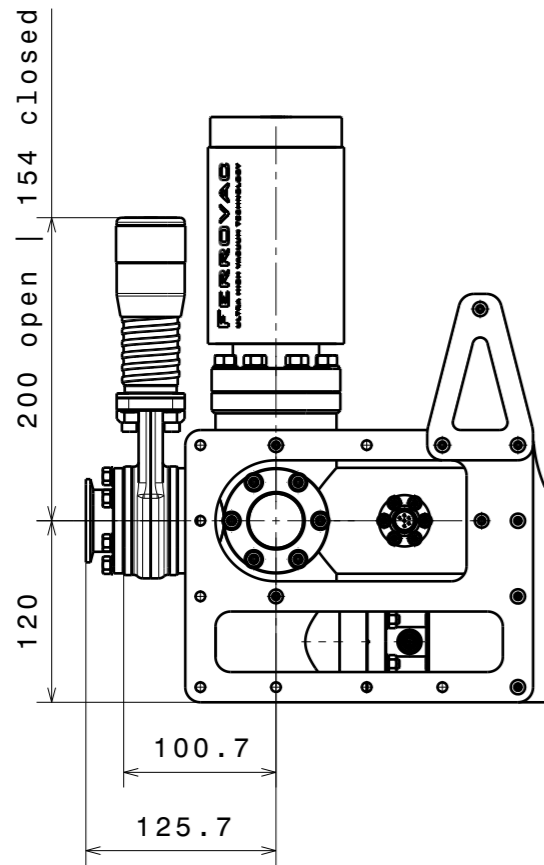
extended length Z from CF = 586.3

extended length Z from KF = 561.3

1089.117

387

WM40
linear travel 700



Ra 0.8 (✓) +0.2 / +0.1 -0.1 / -0.2

Material: various

Ultra High Vacuum Cryo Transfer Suitcase - Long throw
UHVCTSL

Ferrovac
CH-8050 Zurich

THE INFORMATION CONTAINED IN THIS DRAWING IS THE SOLE PROPERTY OF FERROVAC. ANY REPRODUCTION IN PART OR AS WHOLE WITHOUT OUR PERMISSION IS PROHIBITED.

nominal <30mm	DIN ISO 2768-f-H
dimensions >30mm	DIN ISO 2768-m-K excluding Sym./Runout
Sym./Runout >30mm	DIN ISO 2768-H
formed part dimensions	DIN ISO 2768-f-H

Scale	Drawn	L.Jeromin
1:5	Date	12.09.2023
	Changed

Rev.	A	UHVCTSL
		A3 sheet 1/1