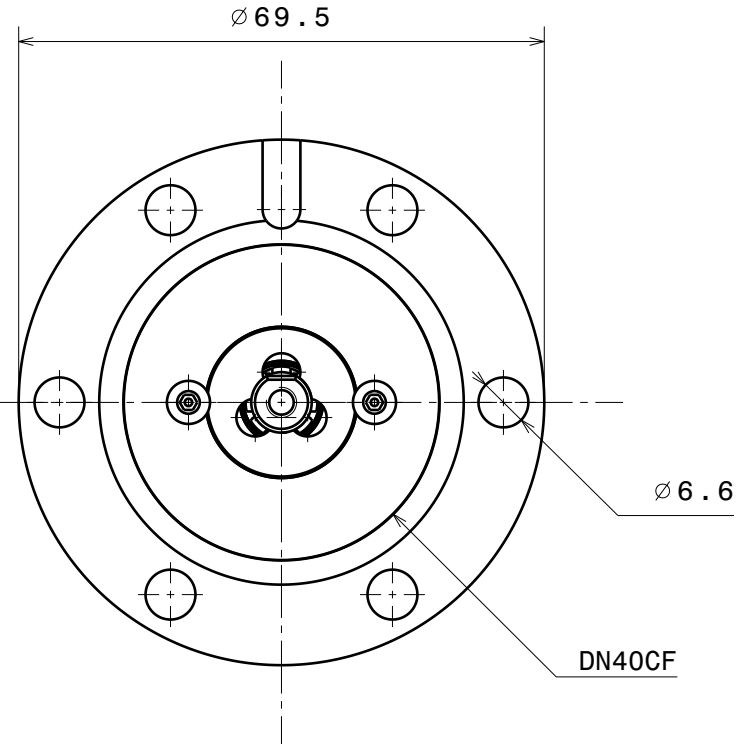
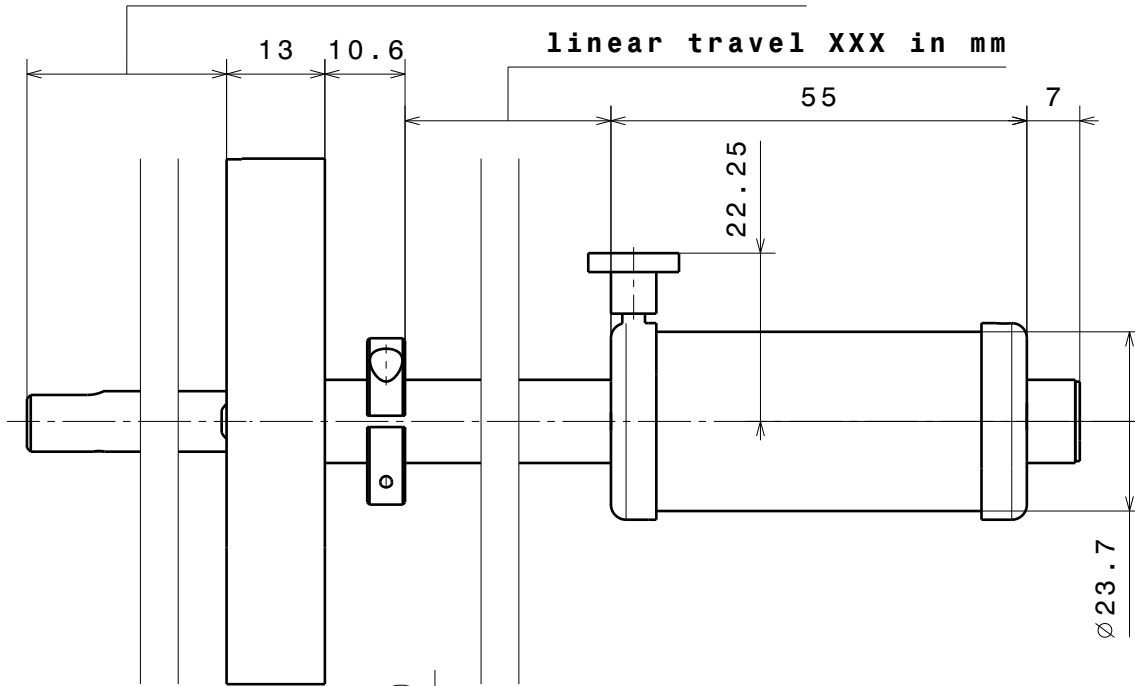
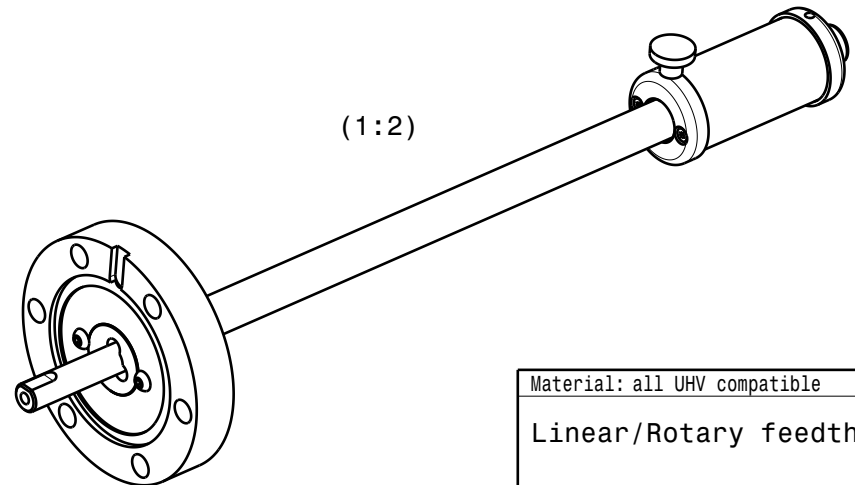
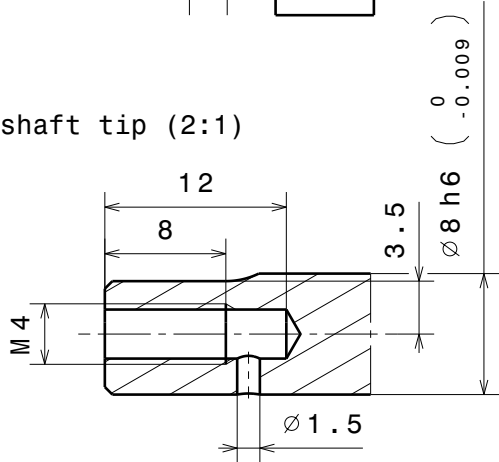


retracted shaft length YYY in mm

linear travel XXX in mm



shaft tip (2:1)



$\sqrt{\text{Ra 1.6}}$  (✓)  $\swarrow$   $\begin{matrix} +0.2 \\ +0.1 \end{matrix}$   $\searrow$   $\begin{matrix} -0.1 \\ -0.2 \end{matrix}$   
 general tolerances ISO 2768-K

Material: all UHV compatible	nominal over	1	6	30	100	300	1000
Linear/Rotary feedthrough DN40CF	dimension up to	6	30	100	300	1000	2000
	tolerance ±	0.05	0.1	0.3	0.5	0.8	1.2
MD	Scale	Drawn	Denys Sutter				
		Checked	Name				
<b>Ferrovac GmbH</b> CH-8050 Zurich	THE INFORMATION CONTAINED IN THIS DRAWING IS THE SOLE PROPERTY OF FERROVAC GMBH. ANY REPRODUCTION IN PART OR AS WHOLE WITHOUT OUR PERMISSION IS PROHIBITED.	1:1 (1:2) (2:1)	MD40				