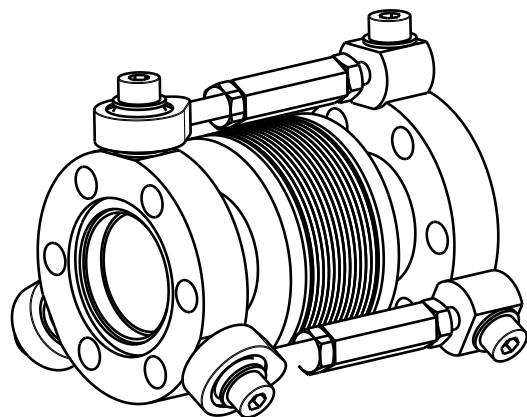
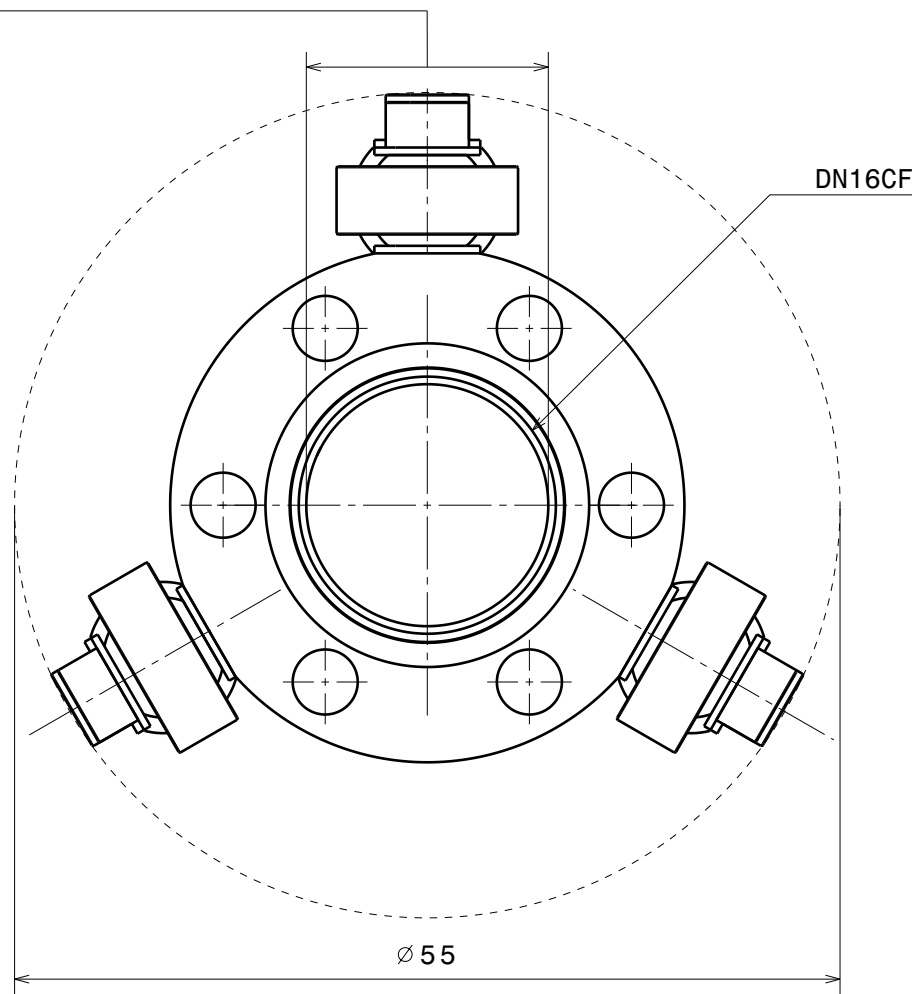
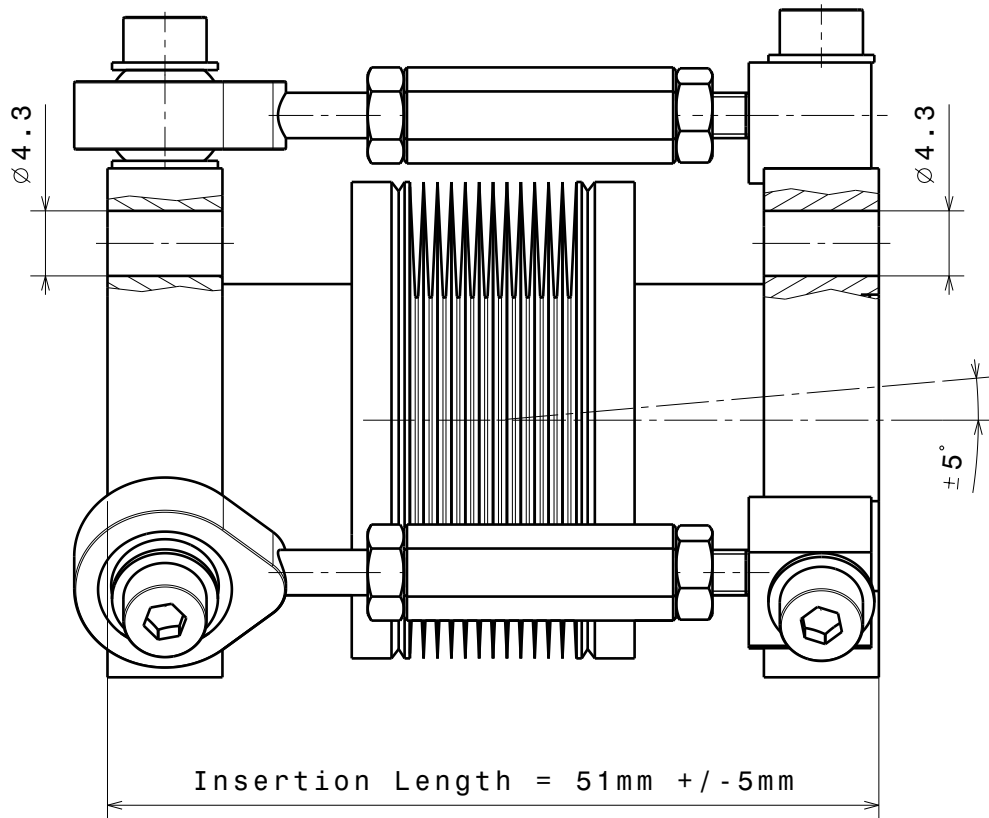


∅Free Inner Diameter = 16mm



(1:1)

$\sqrt{\text{Ra 1.6}}$ (✓) $\begin{matrix} +0.2 \\ +0.1 \end{matrix}$ $\begin{matrix} -0.1 \\ -0.2 \end{matrix}$
 general tolerances ISO 2768-K

Material: all UHV compatible	nominal over	1	6	30	100	300	1000
Port Aligner DN16CF	dimension up to	6	30	100	300	1000	2000
	tolerance ±	0.05	0.1	0.3	0.5	0.8	1.2
PA	Scale	Drawn	Denys Sutter				
	Date	15.03.2011					
Ferrovac GmbH CH-8050 Zurich	2:1 (1:1)	Checked	Name				
		PA16					
THE INFORMATION CONTAINED IN THIS DRAWING IS THE SOLE PROPERTY OF FERROVAC GMBH. ANY REPRODUCTION IN PART OR AS WHOLE WITHOUT OUR PERMISSION IS PROHIBITED.							